

# WALL MOUNT SPEAKER

[www.bogen.com](http://www.bogen.com)

**BOGEN**<sup>®</sup>

FG20B  
FG20W



## USER MANUAL

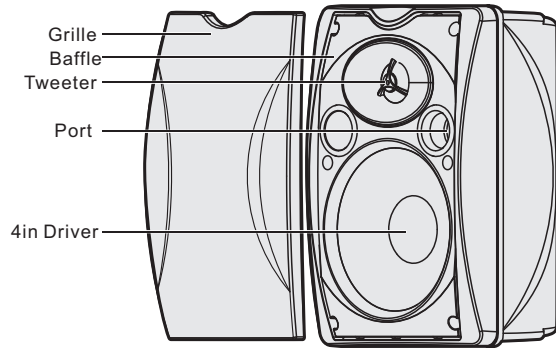
- For Black and white

Specifications are subject to change without notice.  
©Copyright 2023, Bogen Communications LLC  
740-00194A 230327

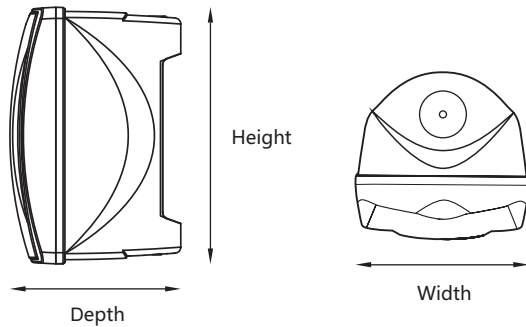
## Contents

|                                      |   |
|--------------------------------------|---|
| <b>Introduction</b> .....            | 1 |
| <b>Product Information</b> .....     | 1 |
| <b>Installation</b> .....            | 2 |
| U-shape Bracket Installation .....   | 3 |
| <b>Rear Panel Introduction</b> ..... | 4 |
| <b>Technical Parameters</b> .....    | 5 |
| <b>Packing List</b> .....            | 6 |

## Product Information

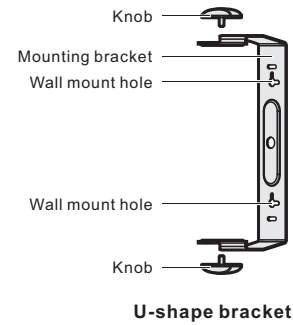


Wall mounted speaker



| Model       | Height      | Width        | Depth        |
|-------------|-------------|--------------|--------------|
| FG20B/FG20W | 10in(255mm) | 6.9in(176mm) | 6.7in(170mm) |

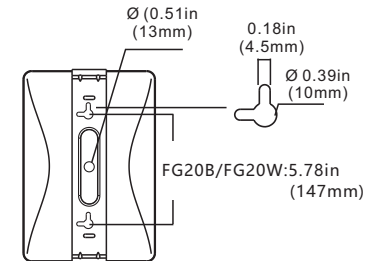
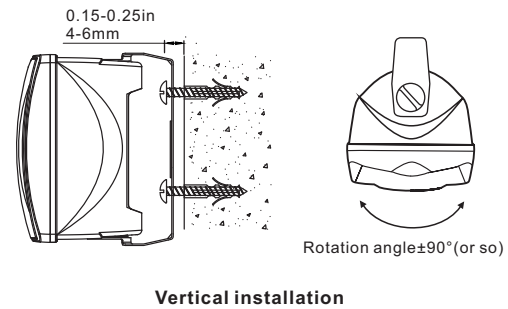
Product dimension

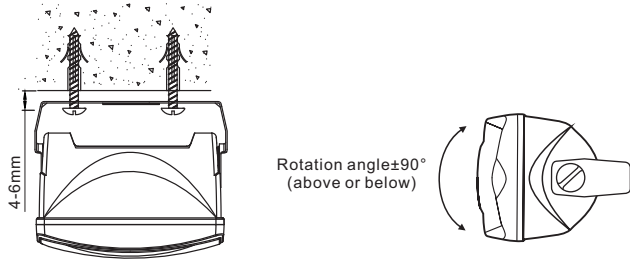


## Installation

If multiple speakers are installed they should be no further than 16 feet apart.

### U-shape bracket installation





Horizontal installation

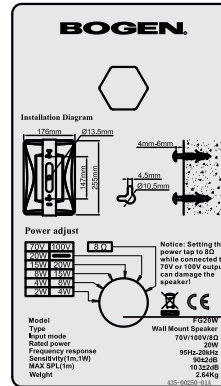
**WARNING:** Customer is responsible for using the appropriate mounting hardware for their application. Both the mounting hardware and surface to which the unit is to be attached must be specified to withstand 10X the weight of the suspended assembly. It is also recommended that a safety cable (user-supplied) be attached to the unit to prevent injury should the mounting hardware/surface attachment fail.

This bracket supports both vertical and horizontal installation orientations.

1. Install two nails/screws 5.78" (147mm) apart from one another and leave a small gap from the head of the screw to the wall.
2. Slide the bracket over the heads of the mounting hardware and verify that the location and orientation of the bracket is as desired then secure the hardware to the wall.
3. Connect the audio cable to the speaker.
4. Attach the speaker to the bracket using the knobs. Adjust the speaker to the desired angle and then tighten them.
5. Verify that the installation of the speaker is secure.

## Rear Panel Settings

### FG20W Power Tap Adjustment Knob



Power Tab Adjustable Knob

| Power Terminal | Voltage | Constant voltage |      | Constant resistance |
|----------------|---------|------------------|------|---------------------|
|                |         | 70V              | 100V |                     |
| Black---White  |         | 20W              | —    | 20W                 |
|                |         | 15W              | 20W  |                     |
|                |         | 8W               | 15W  |                     |
|                |         | 4W               | 8W   |                     |
|                |         | 2W               | 4W   |                     |

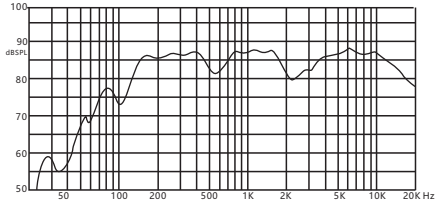


#### Notice:

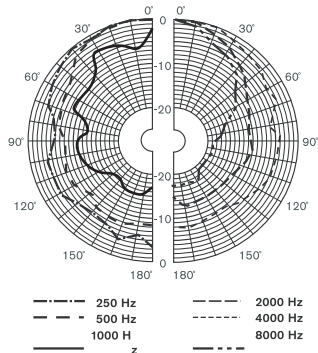
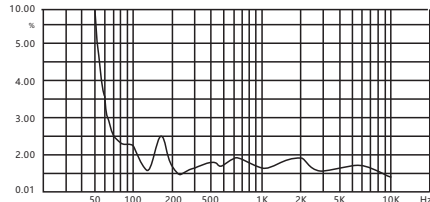
Avoid setting the power tap to 8Ω when connecting to a 70V or 100V output. Failure to do so can result in damaging the speaker.

# Technical Parameters

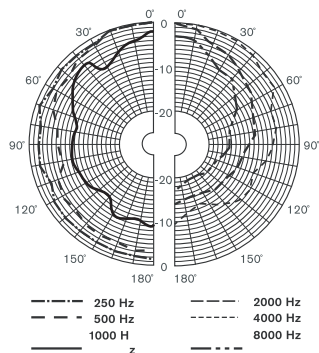
**FG20B / FG20W**  
**Frequency response characteristics**  
 (dB SPL, 1W, 1m)



**FG20B / FG20W**  
**Distortion characteristic**  
 (THD < 5% 1W, 1m, 100Hz-10kHz)



**FG20B / FG20W**  
**Vertical directivity pattern**



**FG20B / FG20W**  
**Horizontal directivity pattern**

| Project              | Specifications      | FG20B / FG20W       |          |
|----------------------|---------------------|---------------------|----------|
| Acoustic System      | Driver Sizes        | 4"×1, 1"×1          |          |
|                      | Sensitivity (1m,1W) | 90±2dB              |          |
|                      | Max. SPL (1m)       | 103±2dB             |          |
|                      | Frequency Response  | 95Hz-20kHz          |          |
|                      | Rated Power         | 20W                 |          |
| Other Specifications | Speaker Connection  | 9" Two-Wire Pigtail |          |
|                      | Input               | Constant Voltage    | 70V/100V |
|                      |                     | Constant Resistance | 8 Ω      |
|                      | Dimension (H×W×D)   | 10×6.9×6.7in        |          |
| Net Weight           | 6lbs                |                     |          |

# Packing List

| Component                | Quantity |
|--------------------------|----------|
| Wall mount speaker ..... | 1        |
| U-shape bracket .....    | 1        |
| Bracket Knobs .....      | 2        |
| User Manual .....        | 1        |

## Limited Warranty; Exclusion of Certain Damages

---

The **Bogen Foreground Speaker Model FG20 (B/W)** is warranted to be free from defects in material and workmanship for two (2) years from the date of sale to the original purchaser. Any part of the product covered by this warranty that, with normal installation and use, becomes defective (as confirmed by Bogen upon inspection) during the applicable warranty period, will be repaired or replaced by Bogen, at Bogen's option, provided the product is shipped insured and prepaid to: Bogen Factory Service Department, 4570 Shelby Air Drive, Suite 11, Memphis TN 38118, USA. Repaired or replacement product will be returned to you freight prepaid. This warranty does not extend to any of our products that have been subjected to abuse, misuse, improper storage, neglect, accident, improper installation or have been modified or repaired or altered in any manner whatsoever, or where the serial number or date code has been removed or defaced.

**THE FOREGOING LIMITED WARRANTY IS BOGEN'S SOLE AND EXCLUSIVE WARRANTY AND THE PURCHASER'S SOLE AND EXCLUSIVE REMEDY. BOGEN MAKES NO OTHER WARRANTIES OF ANY KIND, EITHER EXPRESS OR IMPLIED, AND ALL IMPLIED WARRANTIES OF MERCHANTABILITY OR FITNESS FOR A PARTICULAR PURPOSE ARE HEREBY DISCLAIMED AND EXCLUDED TO THE MAXIMUM EXTENT ALLOWABLE BY LAW.** Bogen's liability arising out of the manufacture, sale or supplying of products or their use or disposition, whether based upon warranty, contract, tort or otherwise, shall be limited to the price of the product. **IN NO EVENT SHALL BOGEN BE LIABLE FOR SPECIAL, INCIDENTAL OR CONSEQUENTIAL DAMAGES (INCLUDING, BUT NOT LIMITED TO, LOSS OF PROFITS, LOSS OF DATA OR LOSS OF USE DAMAGES) ARISING OUT OF THE MANUFACTURE, SALE OR SUPPLYING OF PRODUCTS, EVEN IF BOGEN HAS BEEN ADVISED OF THE POSSIBILITY OF SUCH DAMAGES OR LOSSES.** Some States do not allow the exclusion or limitation of incidental or consequential damages, so the above limitation or exclusion may not apply to you. This warranty gives you specific legal rights, and you may also have other rights which vary from State to State.

Products that are out of warranty will also be repaired by the Bogen Factory Service Department – same address as above or call 201-934-8500. The parts and labor involved in these repairs are warranted for 90 days when repaired by the Bogen Factory Service Department. All shipping charges in addition to parts and labor charges will be at the owner's expense. All returns require a Return Authorization number. For most efficient warranty or repair service, please include a description of the failure.

4/2023

**BOGEN**<sup>®</sup>  
**COMMUNICATIONS LLC**

[www.bogen.com](http://www.bogen.com)