

NQ-GA40P3 Integrated Power Amplifier

Installation and Use Guide

The NQ-GA40P3 is a 40W plenum-rated Class D integrated power amplifier. Designed to operate over a 10/100 Ethernet network, the NQ-GA40P3 is IEEE 802.3bt-compliant and can be powered using Power over Ethernet (PoE++). The NQ-GA40P3 can direct drive a single 8Ω load and has a balanced line output to drive auxiliary power amplifiers, as well as a balanced line input for auxiliary line-level analog input.



Notice

Every effort was made to ensure that the information in this manual was complete and accurate at the time of printing; however, all information is subject to change.

**This equipment is not suitable for use in locations where children are likely to be present.
Equipment is intended for use only in a restricted access area.**

WARNING: To reduce the risk of fire or electric shock, do not expose this apparatus to rain or moisture.

Avertissement: pour réduire le risque d'incendie ou de choc électrique, ne pas exposer cet appareil sous la pluie et l'humidité.

The apparatus shall not be exposed to dripping or splashing and no objects filled with liquids, such as vases, shall be placed on apparatus.

L'appareil ne doit pas être exposé aux écoulements ou aux éclaboussures et aucun objet ne contenant de liquide, tel qu'un vase, ne doit être placé sur l'objet.

The ventilation should not be impeded by covering the ventilation openings with items, such as newspapers, table-cloths, curtains, etc.

- il convient que l'aération ne soit pas gênée par l'obstruction des ouvertures d'aéra

No naked flame sources, such as lighted candles, should be placed on the apparatus.

- il convient de ne pas placer sur l'appareil de sources de flammes nues, telles que des bougies allumées

The apparatus should be used in moderate climates.

- si l'appareil est destiné à être utilisé sous un climat tempéré.

Important Safety Information

WARNING: To reduce the risk of fire or electric shock, do not expose this apparatus to rain or moisture.

Always comply with the following basic safety precautions when installing and using the unit:

1. Read these instructions.
2. Keep these instructions.
3. Heed all warnings.
4. Follow all instructions.
5. Clean only with dry cloth.
6. DO NOT install near any heat sources such as radiators, heat registers, stoves, or other apparatus (including amplifiers) that produce heat.
7. Only use attachments/accessories that are specified by the manufacturer.
8. Unplug this apparatus during lightning storms or when unused for long periods of time.
9. Refer all servicing to qualified service personnel. Servicing is required when the apparatus has been damaged in any way, such as: the power-supply cord or plug is damaged, liquid has been spilled onto (or objects have fallen into) the apparatus, the apparatus has been exposed to rain or moisture, or the apparatus does not operate normally or has been dropped.
10. Maximum operating temperature is 35 °C.
11. The wall mounting height of the NQ-GA40P3 should be equal to or less than two meters. The mounting process should be conducted by trained professionals with sufficient knowledge and tools to reliably fit the wall-mount fasteners.

Installation

To install the NQ-GA40P3 amplifier:

1. Attach the desired analog speaker to the NQ-GA40P3 using the pluggable connectors provided, where the + and - terminals connect to the +/- speaker wires (see "Figure 1" on page 2).
2. If desired, attach an auxiliary amplifier to the NQ-GA40P3 using pins 1 and 2 of the pluggable balanced LINE OUT connector, taking note of the marked polarity (+/-). The G shield terminal can be used if necessary.
3. If desired, line level output from a preamplifier device can be connected to the NQ-GA40P3 using pins 1 and 2 of the pluggable balanced line connector, taking note of the marked polarity (+/-). The G shield terminal can be used, if necessary.
4. Connect a Cat5-type cable into the module's Ethernet port and ensure the other end of the cable is correctly connected to a PoE switch port on your network.

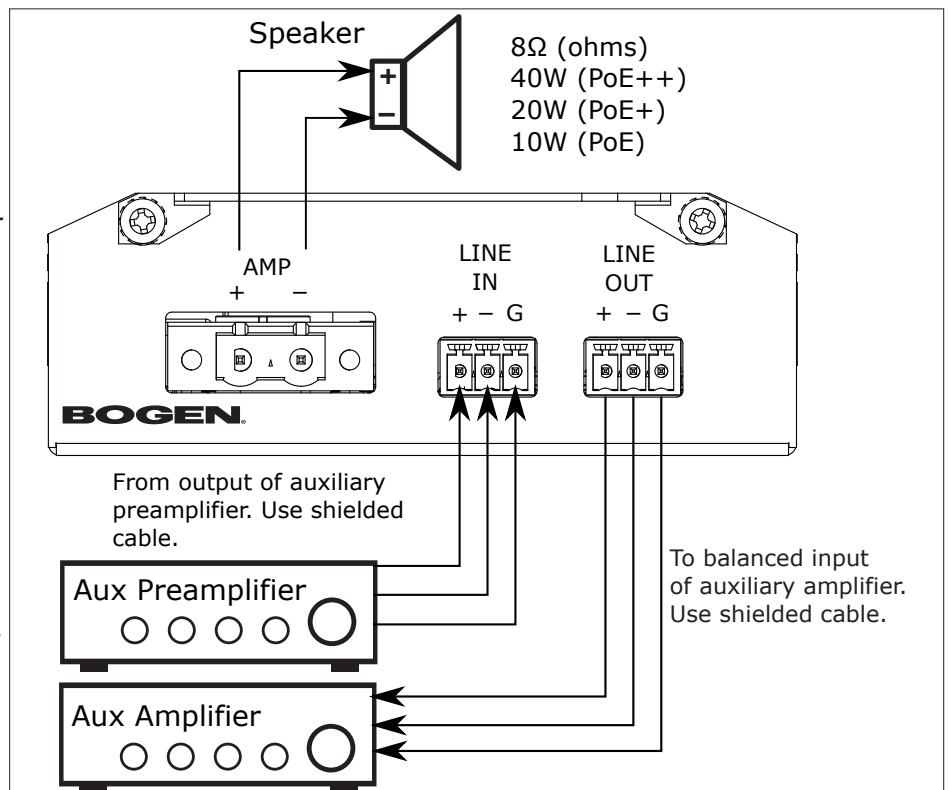


Figure 1

Viewing and Understanding LEDs

Two LEDs appear on the front of the amplifier chassis. One is labeled POWER and appears as solid red during initial power up, flashes green during a boot sequence, and appears solid green when fully booted.



The STATUS LED uses the following indicators to provide information about the module:

- *Flashing red*: No network connection found.
- *Solid blue*: The amplifier is in an uninitialized state and is not associated to a server. (The server may be in a discovery mode.)
- *Solid green*: The amplifier is registered to a Nyquist server and is in normal operation.
- *Flashing green*: The amplifier has an IP address but is not registered with the Nyquist server.
- *Solid red*: The amplifier needs to be rebooted or reset so that the Nyquist application can resume.
- *Flashing blue*: The amplifier is updating.

Using the Reset Button

The Reset button allows you to restart the amplifier or to reset the amplifier's configuration settings to the factory default settings.



For more information about resetting configuration settings, refer to the *Nyquist NQ-GA40P3 Configuration Guide*.

Temperature Indicator

In addition to the LEDs that appear on the actual appliance, a separate temperature status indicator appears on the module's web-based user interface. For more information, refer to the *Nyquist NQ-GA40P3 Configuration Guide*.

Accessories

The PI5660W PoE++ injector can be purchased from Bogen in lieu of using a PoE++-compatible network switch. Visit www.bogen.com for more information.

Compliance

NOTE: This equipment has been tested and found to comply with the limits for a Class A digital device, pursuant to Part 15 of the FCC rules. These limits are designed to provide reasonable protection against harmful interference when the equipment is operated in a commercial environment. This equipment generates, uses and can radiate radio frequency energy and, if not installed and used in accordance with the instruction manual, may cause harmful interference to radio communications. Operation of this equipment in a residential area is likely to cause harmful interference in which case the user will be required to correct the interference at his own expense.

Limited Warranty, Exclusion of Certain Damages

The NQ-GA40P3 is warranted to be free from defects in materials and workmanship for five (5) years from the date of sale to the original purchaser. Any part of the product covered by this warranty that, with normal installation and use, becomes defective (as confirmed by Bogen upon inspection) during the warranty period will be repaired or replaced by Bogen, at Bogen's option, with new or refurbished product, provided the product is shipped insured and prepaid to: Bogen Factory Service Department: 4570 Shelby Air Drive, Suite 11, Memphis, TN 38118, USA. Repaired or replacement product(s) will be returned to you freight prepaid. This warranty does not extend to any of our products that have been subjected to abuse, misuse, improper storage, neglect, accident, improper installation or have been modified or repaired or altered in any manner whatsoever, or where the serial number or date code has been removed or defaced.

THE FOREGOING LIMITED WARRANTY IS BOGEN'S SOLE AND EXCLUSIVE WARRANTY AND THE PURCHASER'S SOLE AND EXCLUSIVE REMEDY. BOGEN MAKES NO OTHER WARRANTIES OF ANY KIND, EITHER EXPRESS OR IMPLIED, AND ALL IMPLIED WARRANTIES OF MERCHANTABILITY OR FITNESS FOR A PARTICULAR PURPOSE ARE HEREBY DISCLAIMED AND EXCLUDED TO THE MAXIMUM EXTENT ALLOWABLE BY LAW. Bogen's liability arising out of the manufacture, sale or supplying of products or their use or disposition, whether based upon warranty, contract, tort or otherwise, shall be limited to the price of the product. IN NO EVENT SHALL BOGEN BE LIABLE FOR SPECIAL, INCIDENTAL OR CONSEQUENTIAL DAMAGES (INCLUDING, BUT NOT LIMITED TO, LOSS OF PROFITS, LOSS OF DATA OR LOSS OF USE DAMAGES) ARISING OUT OF THE MANUFACTURE, SALE OR SUPPLYING OF PRODUCTS, EVEN IF BOGEN HAS BEEN ADVISED OF THE POSSIBILITY OF SUCH DAMAGES OR LOSSES. Some States do not allow the exclusion or limitation of incidental or consequential damages, so the above limitation or exclusion may not apply to you. This warranty gives you specific legal rights, and you may also have other rights which vary from State to State.

Products that are out of warranty will also be repaired by Bogen Factory Service Department -- same address as above or call 201-934-8500, at owner's expense. Returned products which do not qualify for warranty service may be repaired or replaced at Bogen's option with a previously repaired or refurbished items. The parts and labor involved in these repairs are warranted for 90 days when repaired by the Bogen Factory Service Department. All parts and labor charges as well as shipping charges will be at the owner's expense.

All returns require a Return Authorization number. For most efficient warranty or repair service, please include a description of the failure.

1/2019