



MT300M Audio Distribution Transformer

Installation and Use Guide

WARNING: To reduce the risk of fire or electric shock, do not expose this apparatus to rain or moisture.

Avertissement: pour réduire le risque d'incendie ou de choc électrique, ne pas exposer cet appareil sous la pluie et l'humidité.

The apparatus shall not be exposed to dripping or splashing and that no objects filled with liquids, such as vases, shall be placed on apparatus.

L'appareil ne doit pas être exposé aux écoulements ou aux éclaboussures et aucun objet ne contenant de liquide, tel qu'un vase, ne doit être placé sur l'objet.

CAUTION: DO NOT INSTALL OR PLACE THIS UNIT IN A BOOK CASE, BUILT-IN CABINET, OR IN ANOTHER CONFINED SPACE.

ENSURE THAT THE UNIT IS WELL VENTILATED. TO PREVENT THE RISK OF SHOCK OR FIRE HAZARD DUE TO OVER HEATING.

ENSURE THAT CURTAINS AND ANY OTHER MATERIALS DO NOT OBSTRUCT THE VENTILATION VENTS.

Always comply with the following basic safety precautions when installing and using the unit:

1. Read these instructions.
2. Keep these instructions.
3. Heed all warnings.
4. Follow all instructions.
5. DO NOT use this apparatus near water.
6. Clean only with dry cloth.
7. DO NOT block any ventilation openings. Install in accordance with the manufacturer's instructions.
8. DO NOT install near any heat sources such as radiators, heat registers, stoves, or other apparatus (including amplifiers) that produce heat.
9. Operating temperature range of 0 °C to 40 °C.
10. For indoor use only.
11. Refer all servicing to qualified service personnel. Servicing is required when the apparatus has been damaged in any way, such as liquid has been spilled or objects have fallen into the apparatus, the apparatus has been exposed to rain or moisture, does not operate normally, or has been dropped.
12. This equipment is to be used and/or operated by instructed persons only.

Minimum distance of 10 cm around the apparatus for sufficient ventilation.

- 10cm distance minimale autour de l'appareil pour une aération suffisante

The ventilation should not be impeded by covering the ventilation openings with items, such as newspapers, table-cloths, curtains, etc.

- il convient que l'aération ne soit pas gênée par l'obstruction des ouvertures d'aéra

No naked flame sources, such as lighted candles, should be placed on the apparatus.

- il convient de ne pas placer sur l'appareil de sources de flammes nues, telles que des bougies allumées

Only use the apparatus in moderate climates.

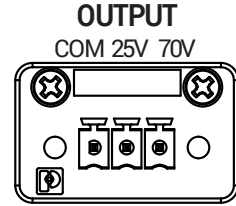
- si l'appareil est destiné à être utilisé sous un climat tempéré.

This equipment is not suitable for use in locations where children are likely to be present. Equipment is intended for use only in a restricted access area.

The MT300M Distributed Transformer is designed to be used with Bogen Platinum amplifiers up to PS240, Nyquist PA Series amplifiers up to PA240, and Nyquist A series amplifiers up to A240 to drive high-impedance distributed loudspeaker systems.

Output Connections

To drive distributed speaker systems designed to operate at 25V or 70V, connect your distributed loudspeaker system to the output of the MT300M transformer module. Connect output wiring using the Phoenix input. Maintain proper polarity (+/COM) on output connector. Either 25V or 70V can be selected (not both), depending on the distributed system. The MT300M is rated at a maximum of 250W RMS at 25V or 70V.



Input Connections

Connect your power amplifier output to the MT300M transformer input using the Phoenix connector, observing proper polarity (+/COM) on input connector.

Use of a high-pass filter (aka a *low-cut filter*) set at a minimum of 50 Hz is necessary when using the MT300M transformer module to drive a 25V or 70V distributed loudspeaker system to prevent distortion due to transformer saturation.

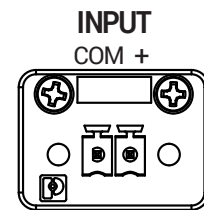


Figure 1

The input and output connections are shown in Figure 1.

Mounting the MT300M

To mount an MT300M transformer module in your rack system or to a wall mount, refer to Figure 2 or Figure 3 and use the provided rack mount kit. The mounting height should be equal to or less than two meters. The mounting process should be conducted by trained professionals with sufficient knowledge and tools to fit the wall-mount fasteners in a reliable way.

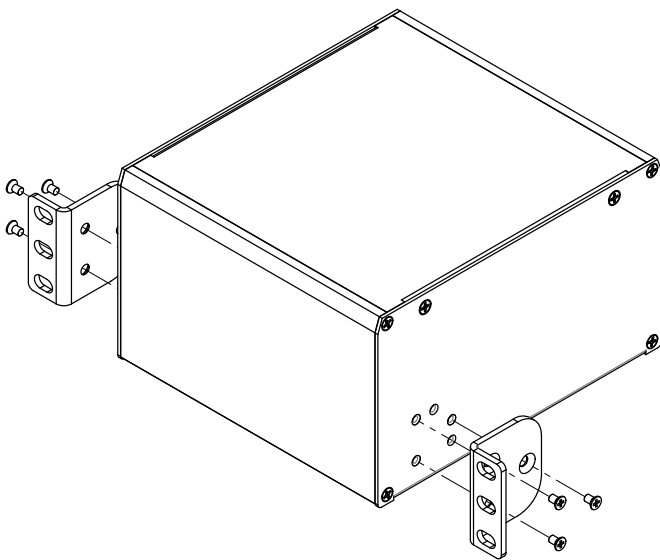


Figure 2: Rack-mounted

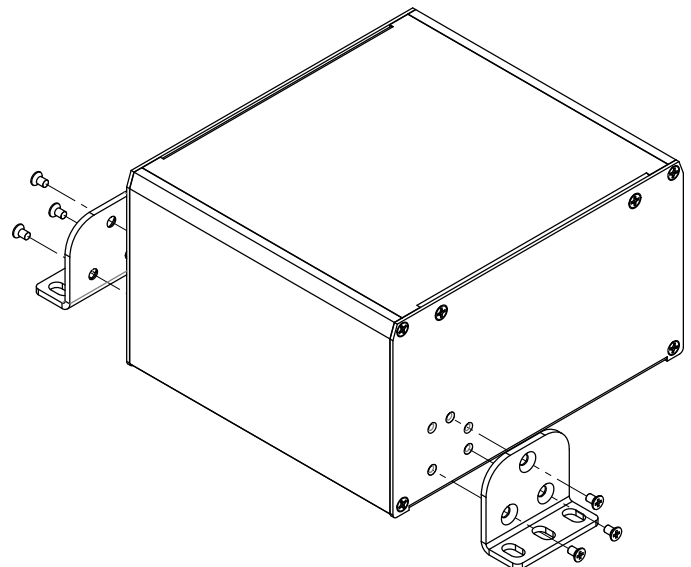


Figure 3: Wall-mounted

Specifications

Power Rating:	Maximum 250 W
Input Voltage:	44.7 V _{rms} max.
Input Current:	5.59 A _{rms} max.
Output Tap 1 Voltage:	70.7 V _{rms}
Output Tap 1 Current:	3.54 A _{rms}
Output Tap 2 Voltage:	25 V _{rms}
Output Tap 2 Current:	10 A _{rms}
Frequency Response:	50 to 15 kHz +0/-3 dB
THD:	0.02% 50 W 50–20 kHz
Size:	5.5" x 6.5" x 3.5"
Weight:	5.4 lbs

NOTICE

Every effort was made to ensure that the information in this manual was complete and accurate at the time of printing; however, all information is subject to change.

Limited Warranty, Exclusion of Certain Damages

The **MTM300** is warranted to be free from defects in materials and workmanship for five (5) years from the date of sale to the original purchaser. Any part of the product covered by this warranty that, with normal installation and use, becomes defective (as confirmed by Bogen upon inspection) during the warranty period will be repaired or replaced by Bogen, at Bogen's option, with new or refurbished product, provided the product is shipped insured and prepaid to: Bogen Factory Service Department: 4570 Shelby Air Drive, Suite 11, Memphis, TN 38118, USA. Repaired or replacement product(s) will be returned to you freight prepaid. This warranty does not extend to any of our products that have been subjected to abuse, misuse, improper storage, neglect, accident, improper installation or have been modified or repaired or altered in any manner whatsoever, or where the serial number or date code has been removed or defaced.

THE FOREGOING LIMITED WARRANTY IS BOGEN'S SOLE AND EXCLUSIVE WARRANTY AND THE PURCHASER'S SOLE AND EXCLUSIVE REMEDY. BOGEN MAKES NO OTHER WARRANTIES OF ANY KIND, EITHER EXPRESS OR IMPLIED, AND ALL IMPLIED WARRANTIES OF MERCHANTABILITY OR FITNESS FOR A PARTICULAR PURPOSE ARE HEREBY DISCLAIMED AND EXCLUDED TO THE MAXIMUM EXTENT ALLOWABLE BY LAW. Bogen's liability arising out of the manufacture, sale or supplying of products or their use or disposition, whether based upon warranty, contract, tort or otherwise, shall be limited to the price of the product. **IN NO EVENT SHALL BOGEN BE LIABLE FOR SPECIAL, INCIDENTAL OR CONSEQUENTIAL DAMAGES (INCLUDING, BUT NOT LIMITED TO, LOSS OF PROFITS, LOSS OF DATA OR LOSS OF USE DAMAGES) ARISING OUT OF THE MANUFACTURE, SALE OR SUPPLYING OF PRODUCTS, EVEN IF BOGEN HAS BEEN ADVISED OF THE POSSIBILITY OF SUCH DAMAGES OR LOSSES.** Some States do not allow the exclusion or limitation of incidental or consequential damages, so the above limitation or exclusion may not apply to you. This warranty gives you specific legal rights, and you may also have other rights which vary from State to State.

Products that are out of warranty will also be repaired by Bogen Factory Service Department -- same address as above or call 201-934-8500, at owner's expense. Returned products which do not qualify for warranty service, may be repaired or replaced at Bogen's option with a previously repaired or refurbished items. The parts and labor involved in these repairs are warranted for 90 days when repaired by the Bogen Factory Service Department. All parts and labor charges as well as shipping charges will be at the owner's expense.

All returns require a Return Authorization number. For most efficient warranty or repair service, please include a description of the failure.

7/2018

NOTES

