

VANDAL-RESISTANT SPEAKER with CALL-BUTTON



Model VRS1

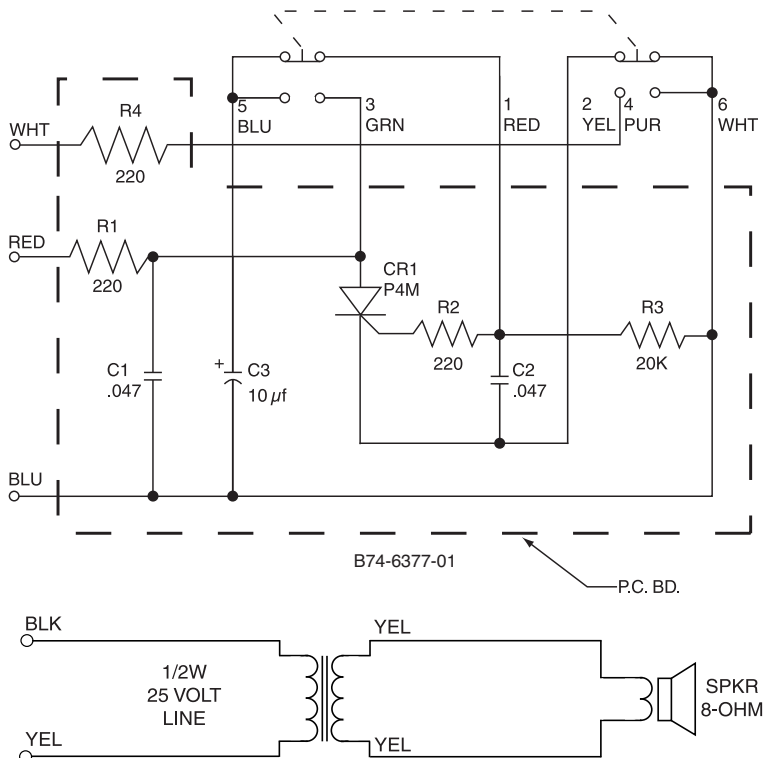
DESCRIPTION

The Bogen VRS1 is a wall-mountable, vandal-resistant speaker with call-button designed for use with Bogen Multicom, Quantum, and Multi-Graphic communication systems. It consists of an 8-ohm loudspeaker, 25V transformer (tap fixed at 1/2 watt), and call-in switch mounted to a heavy-gauge stainless steel plate. The call-in switch can be wired to provide either momentary or latching operation. The plate may be mounted to a 2-1/2" deep Gang Box (4-1/2" W x 6-13/16" H), such as Steel City (H2BD-3/4 & 1), with one-way security screws.

INSTALLATION

A shielded-pair plus one-conductor cable is required, such as in West Penn #358 or Belden #8724. The unshielded conductor should be used for the "A" Terminal (Red) connection, the shield conductor for the "G" Terminal (Blue) connection, and the "S" Terminal (Black & Yellow) connections should use the two shielded conductors. Refer to the appropriate system installation instructions to terminate the cable at the system control center.

VRS1 Wire Color	Conductor
White	Multicom/Quantum Station Port "A" Terminal (<i>Momentary Contact</i>)
Red	Multi-Graphic Station Port "A" Terminal (<i>Latching Contact</i>)
Blue	All Systems Station Port "G" Terminal
Black	All Systems Station Port "S" Terminal
Yellow	All Systems Station Port "S" Terminal



VRS1 Schematic Diagram

LIMITED WARRANTY

Bogen's Vandal-Resistant Speakers are warranted to be free from defects in material or workmanship for two (2) years from the date of sale to the original purchaser. Any part of the product covered by this warranty that, with normal installation and use, becomes defective will be repaired or replaced by Bogen, at our option, provided the product is shipped insured and prepaid to: Bogen Factory Service Department, 50 Spring Street, Ramsey, NJ 07446, USA. The product will be returned to you freight prepaid. This warranty does not extend to any of our products that have been subjected to abuse, misuse, improper storage, neglect, accident, improper installation or have been modified or repaired or altered in any manner whatsoever, or where the serial number or date code has been removed or defaced.

THE FOREGOING LIMITED WARRANTY IS BOGEN'S SOLE AND EXCLUSIVE WARRANTY AND THE PURCHASER'S SOLE AND EXCLUSIVE REMEDY. BOGEN MAKES NO OTHER WARRANTIES OF ANY KIND, EITHER EXPRESS OR IMPLIED, AND ALL IMPLIED WARRANTIES OF MERCHANTABILITY OR FITNESS FOR A PARTICULAR PURPOSE ARE HEREBY DISCLAIMED AND EXCLUDED TO THE MAXIMUM EXTENT ALLOWABLE BY LAW. Bogen's liability arising out of the manufacture, sale or supplying of products or their use or disposition, whether based upon warranty, contract, tort or otherwise, shall be limited to the price of the product. In no event shall Bogen be liable for special, incidental or consequential damages (including, but not limited to, loss of profits, loss of data or loss of use damages) arising out of the manufacture, sale or supplying of products, even if Bogen has been advised of the possibility of such damages or losses. Some States do not allow the exclusion or limitation of incidental or consequential damages, so the above limitation or exclusion may not apply to you. This warranty gives you specific legal rights, and you may also have other rights which vary from State to State.

Products that are out of warranty will also be repaired by the Bogen Factory Service Department -- same address as above or call 201-934-8500. The parts and labor involved in these repairs are warranted for 90 days when repaired by the Bogen Factory Service Department. All shipping charges in addition to parts and labor charges will be at the owner's expense. All returns require a Return Authorization number.

08/10/2004

BOGEN
COMMUNICATIONS, INC.

www.bogen.com

54-5921-01D 0807

Specifications subject to changes without notice.