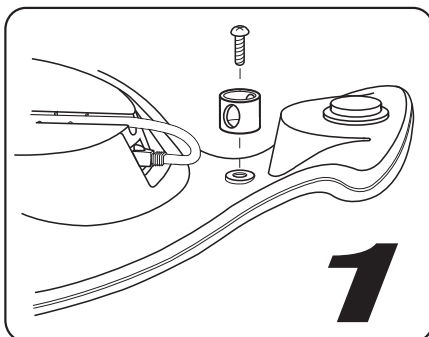


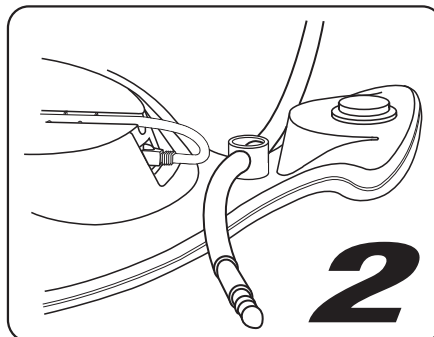
VHSK V•HUB SECURITY INSTALLATION KIT



COMPLETE STEPS 1 & 2, THEN CHOOSE **OPTION A** OR **OPTION B** TO SECURE THE UNIT TO THE DESIRED LOCATION.

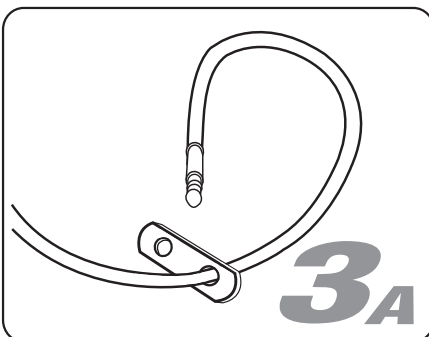


- Remove existing screw from underside of V•Hub unit.
- Using the replacement screw provided with your kit, attach the Security Cable lug.

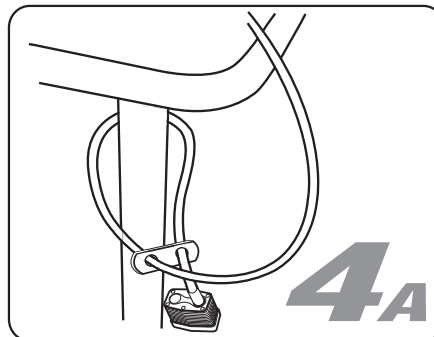


- After affixing the lug, slide the Security Cable through the opening in the lug.

OPTION A: SECURE THE CABLE CORD AROUND A TABLE LEG.

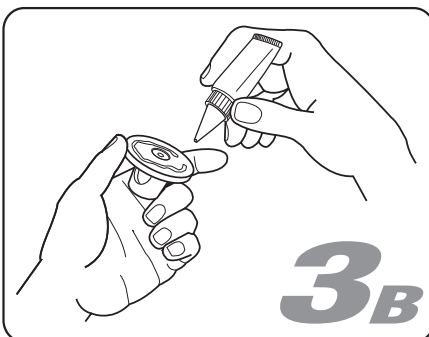


- Feed the Security Cable through one of the holes in the supplied metal cable bracket.

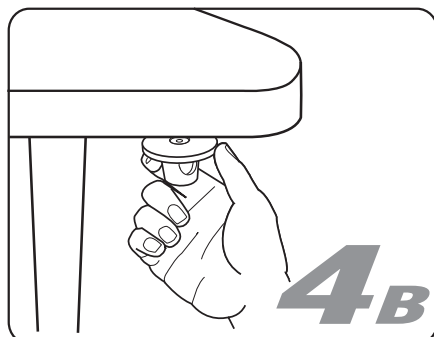


- Loop cable around table leg, feed cable through other bracket hole, then couple end of cable to Padlock.

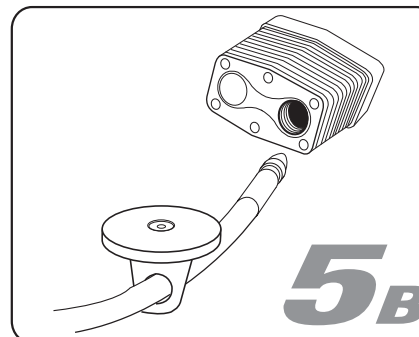
OPTION B: SECURE THE CABLE CORD TO THE UNDERSIDE OF A TABLE OR DESK.



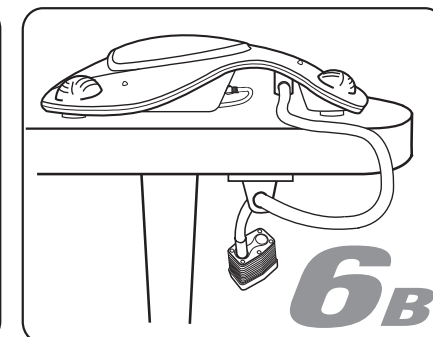
- Wipe down Cable Disc AND mounting surface area with supplied Alcohol Pad, and let dry.
- Apply a thin amount of adhesive to disc, as shown.



- Affix Cable Disc to underside of any table or desk.
- Apply pressure for 20-30 seconds. A permanent bond will occur within 24 hours.

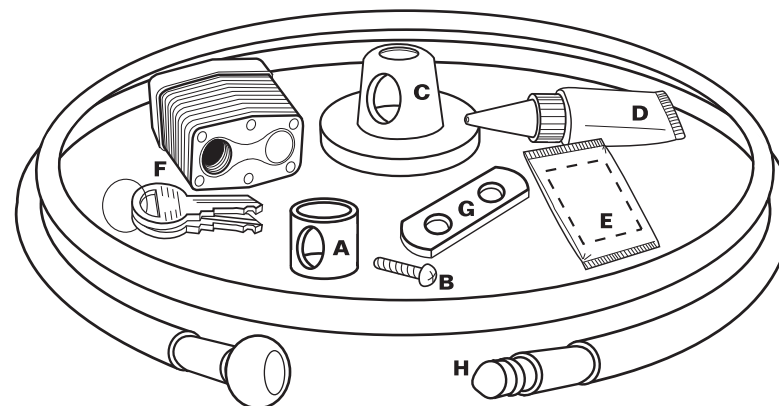


- Insert and feed the Security Cable through the affixed Cable Disc and couple with the Padlock.



- While its desktop mobility is still available, your V•Hub unit is now secured to the table.

INSTALLATION KIT ITEMS:



- A.** SECURITY LUG
- B.** UNIT SCREW
- C.** CABLE DISC
- D.** ADHESIVE TUBE

- E.** ALCOHOL PAD
- F.** PADLOCK & KEYS
- G.** CABLE BRACKET
- H.** SECURITY CABLE

BOGEN®

54-2088-01R1
Printed in the U.S.A. 0212
© 2002 Bogen Communications, Inc. All Rights Reserved

50 Spring Street, Ramsey, NJ 07446
Tel. 201-934-8500 • Fax: 201-934-9832
www.bogen.com