



NEAR™

LB-SERIES

MODELS: LB5/T, LB6/T, & LB8/T

ALL-ENVIRONMENT OUTDOOR LOUDSPEAKERS

QUICK START INSTALLATION
AND SETUP GUIDE

NEAR™

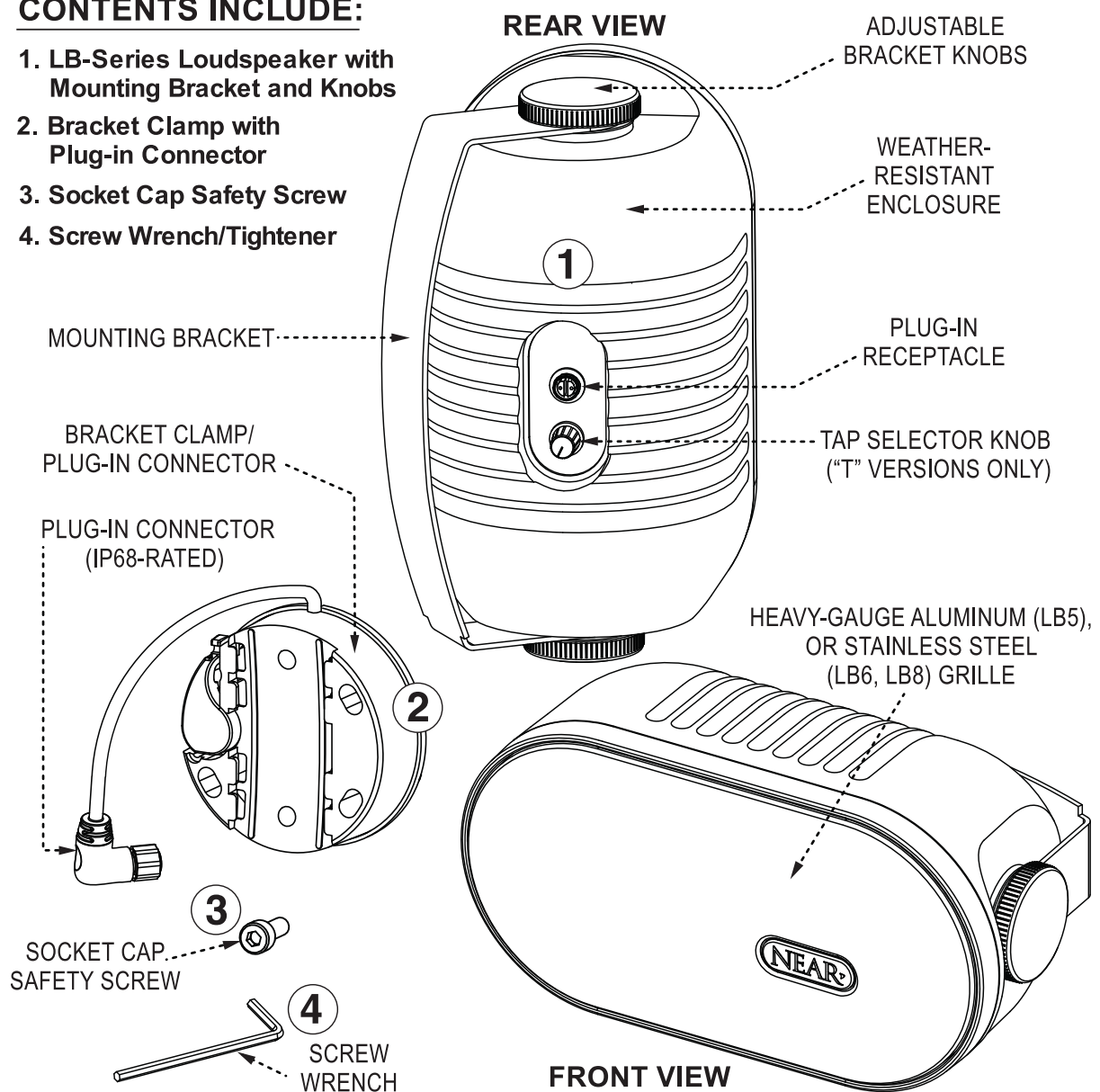
LB-SERIES

ALL-ENVIRONMENT OUTDOOR LOUDSPEAKERS

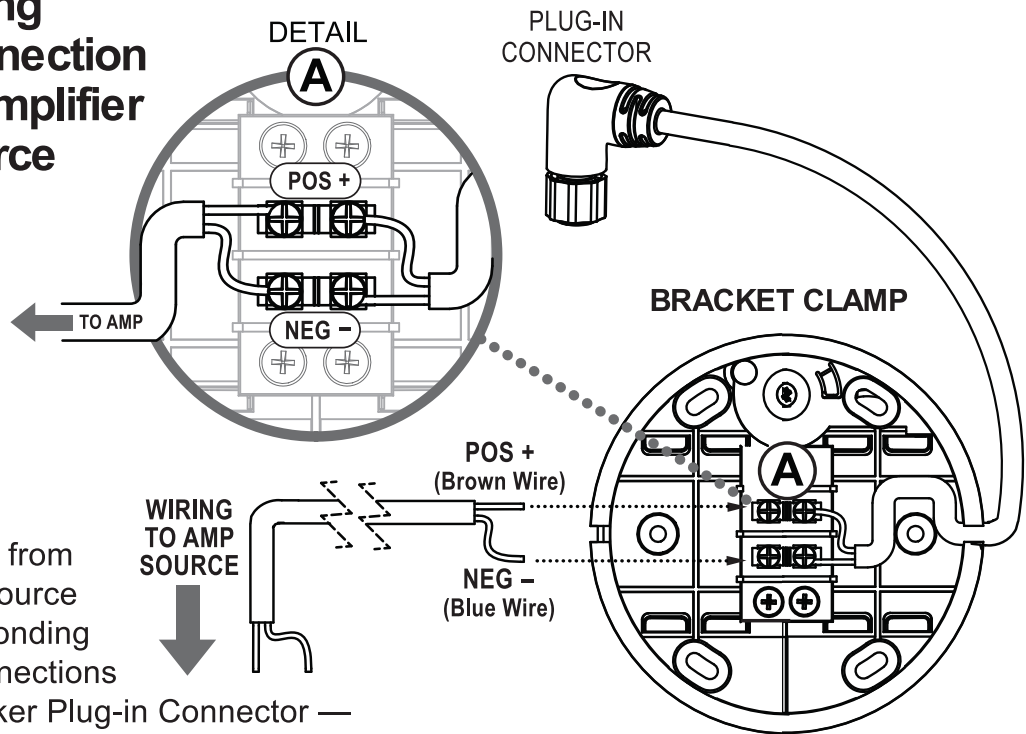
The NEAR™ LB-Series All-environment Loudspeakers are elegantly designed, rugged to the extreme, and a snap to install. The LB's employs a NEAR exclusive "lever bracket" mount combined with a pre-terminated totally waterproof input connector. This mounting system minimizes installation effort and reduces "ladder time" to improve installation safety. Water-shedding and dust-protecting hydrophobic fabric prevents ingress of moisture and fine debris. Once properly installed, the unique clamping/bracket design allows for maximum flexibility in speaker positioning.

CONTENTS INCLUDE:

1. LB-Series Loudspeaker with Mounting Bracket and Knobs
2. Bracket Clamp with Plug-in Connector
3. Socket Cap Safety Screw
4. Screw Wrench/Tightener



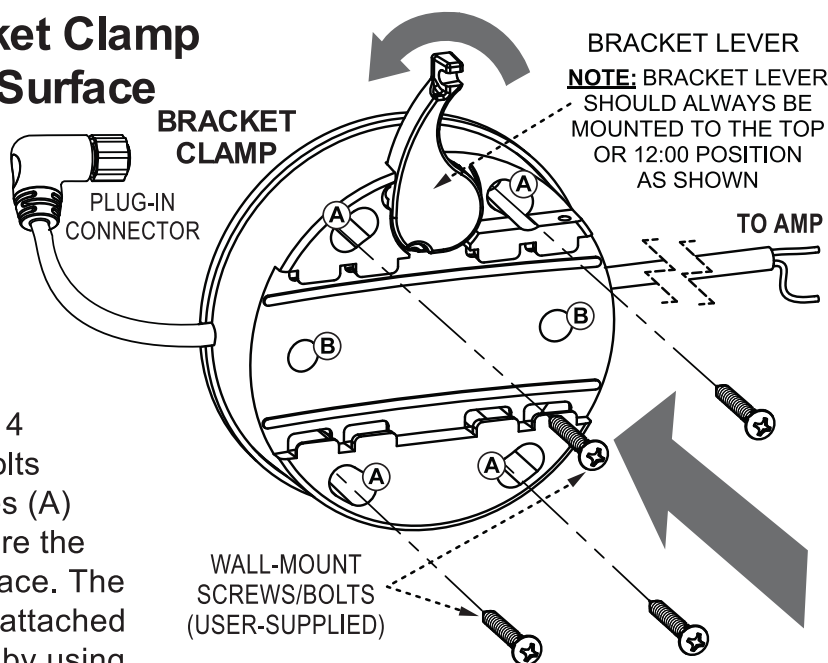
1 Wiring Connection to Amplifier Source



Connect wires from the amplifier source to the corresponding spade lug connections from the speaker Plug-in Connector — positive to positive, negative to negative (see Detail A above). (BROWN= Positive; BLUE= Negative)

2 Attach Bracket Clamp to Wall/Flat Surface (Horizontal)

Rotate Bracket Lever away from the housing. Position Bracket Clamp firmly against a flat surface and then attach by inserting 4 (user-supplied) screws or bolts through the 4 mounting holes (A) on the Bracket Clamp. Secure the Bracket Clamp flush to surface. The Bracket Clamp can also be attached directly to an Electrical Box by using 2 screws through the 2 center mount holes (B) directly onto the box.



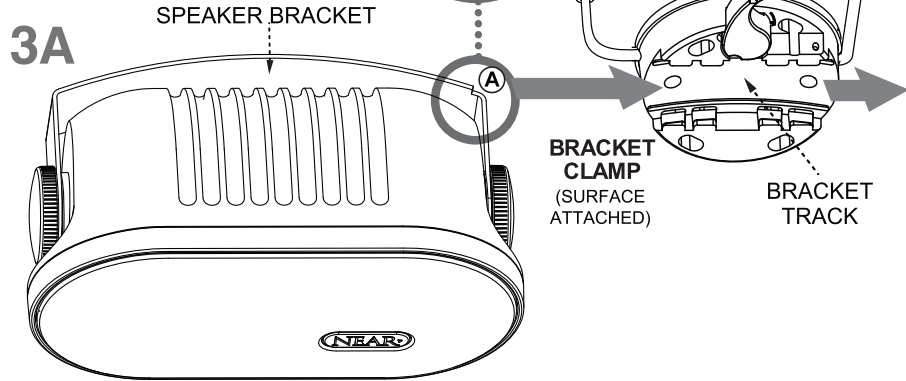
BRACKET LEVER
NOTE: BRACKET LEVER SHOULD ALWAYS BE MOUNTED TO THE TOP OR 12:00 POSITION AS SHOWN

NOTE: HORIZONTAL MOUNT SHOWN. FOR VERTICAL MOUNT, SEE STEP 6

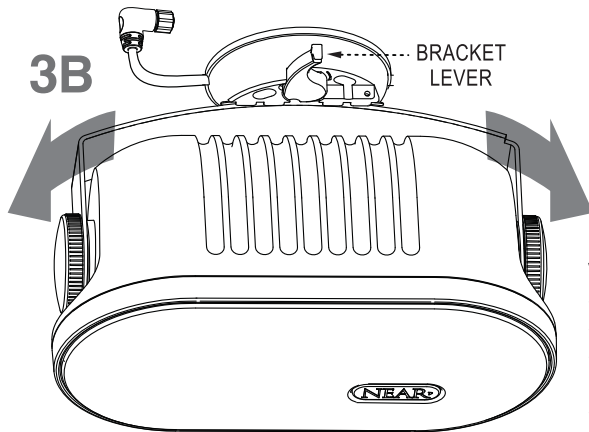


WARNING: Customer is responsible for the mounting hardware and selection of the mounting surface. Both the mounting hardware and surface into which the unit is to be attached must be specified to withstand 5X the weight of the suspended assembly. Also, it is recommended a safety cable be attached to the unit so as to prevent from falling should mounting hardware/surface attachment fail.

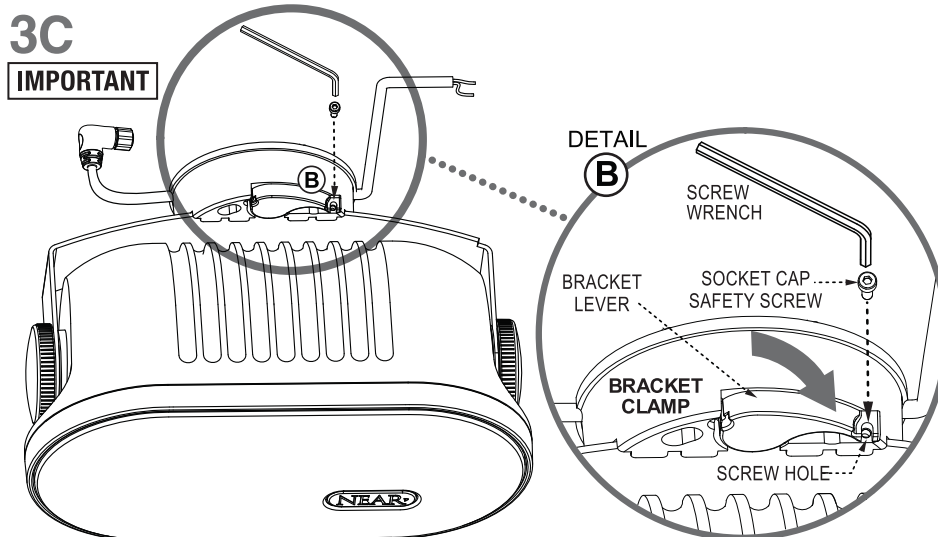
3 Attaching the Loudspeaker to the Bracket Clamp



ONCE THE BRACKET CLAMP HAS BEEN SECURELY MOUNTED, THE BRACKET AND SPEAKER ASSEMBLY CAN BE ATTACHED. THE SPEAKER BRACKET HAS A "NOTCHED" END (SEE DETAIL A) THAT WILL BE FED FIRST, LEFT TO RIGHT, INTO THE BRACKET TRACK ON THE CLAMP. MAKING SURE THAT THE BRACKET LEVER IS UP, GENTLY SLIDE BRACKET/SPEAKER ASSEMBLY INTO THE TRACK.



WITH THE BRACKET LEVER STILL RAISED, THE BRACKET/SPEAKER ASSEMBLY CAN BE SLID BACK AND FORTH ON THE BRACKET TRACK TO A DESIRED SPEAKER POSITION.



ONCE DESIRED POSITION IS DECIDED, THE SPEAKER CAN BE SECURED TO THE CLAMP. CLOSE THE BRACKET LEVER UNTIL FLUSH WITH BRACKET CLAMP. AS THIS IS DONE THE BRACKET BECOMES FIRMLY ATTACHED TO THE CLAMP. INSERT THE SUPPLIED SOCKET CAP SAFETY SCREW THROUGH THE HOLE IN THE END OF THE LEVER AND INTO THE BRACKET CLAMP. USING SUPPLIED WRENCH TIGHTEN SAFETY SCREW UNTIL IT IS IN CONTACT WITH THE BRACKET (DETAIL B). THIS PROVIDES A SECURE LOCK FOR THE BRACKET.

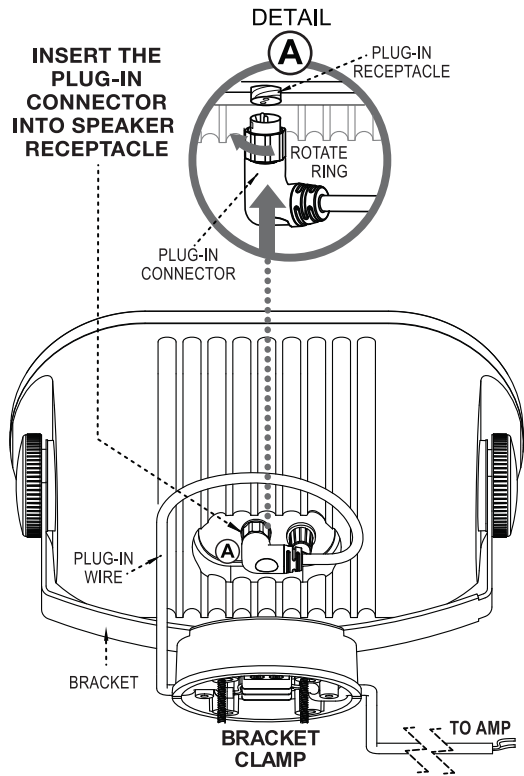
4 Connecting the Plug-In Connector to Loudspeaker

WITH SPEAKER NOW MOUNTED, INSERT THE PLUG-IN CONNECTOR INTO THE PLUG-IN RECEPTACLE.

NOTE: THESE PARTS ARE "KEYED" AND CAN FIT TOGETHER CORRECTLY IN ONLY ONE WAY.

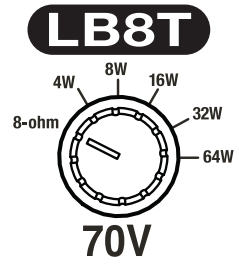
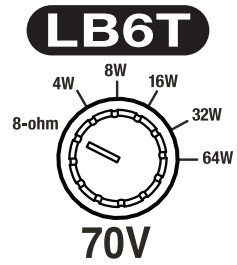
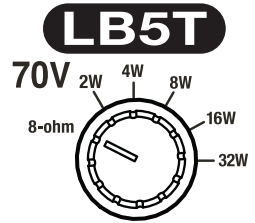
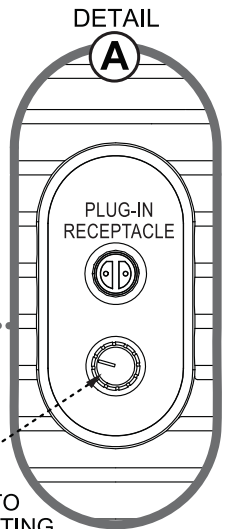
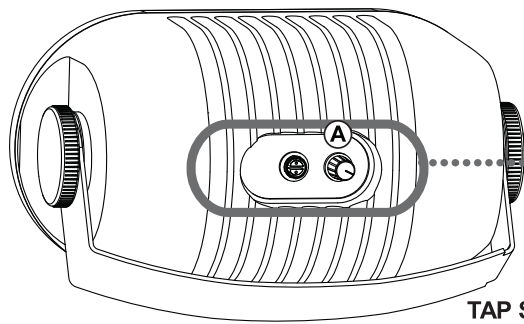
ONCE PLUG-IN HAS BEEN INSERTED, ROTATE THE RING TO FULLY TIGHTEN

NOTE: HORIZONTAL CONNECT SHOWN. FOR VERTICAL CONNECT, SEE STEP 6



5 Selecting the Proper Tap Setting for the Speaker

FOR 70V ("T" VERSION) MODELS ONLY

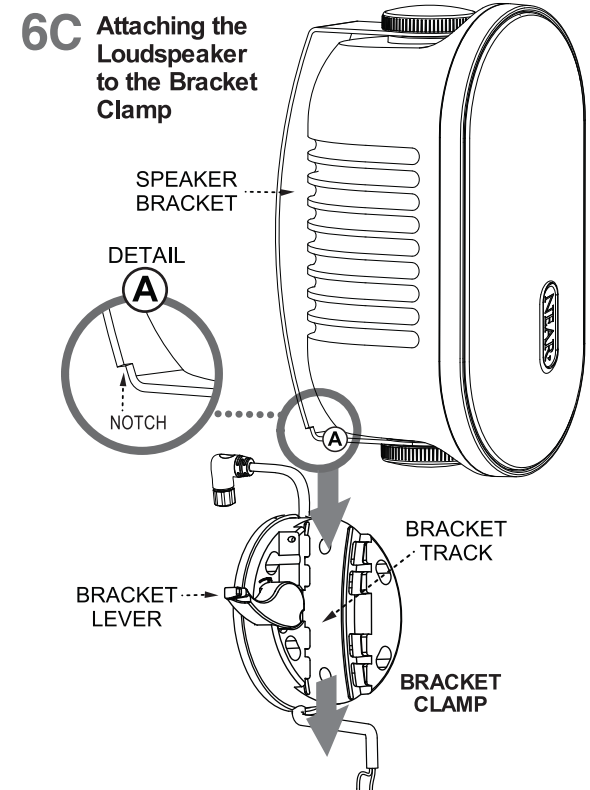
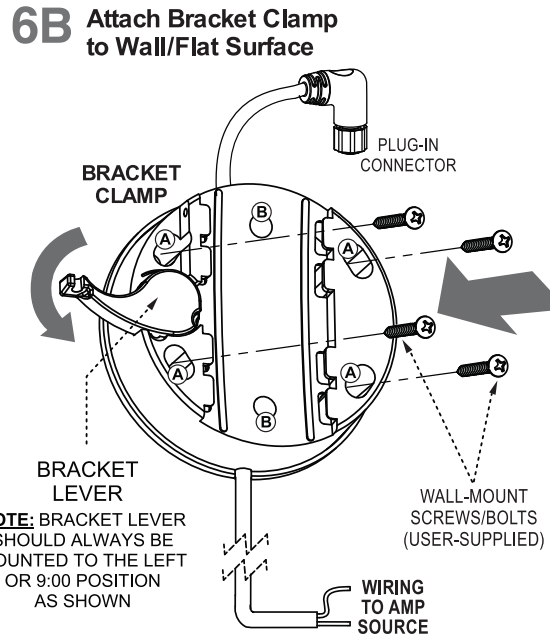
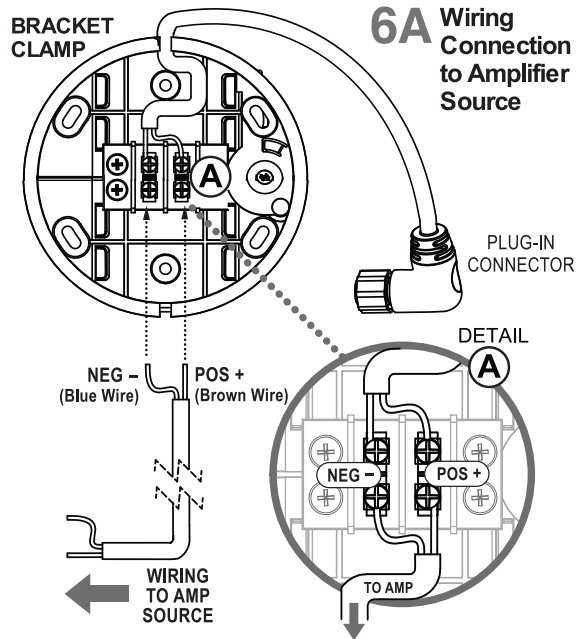


ADJUST KNOB TO PROPER TAP SELECTION BASED ON YOUR APPLICATION.

! YOU MUST ACCURATELY FOLLOW THE INSTRUCTIONS FOR ALL THE PARTS INVOLVED IN THIS INSTALLATION. FAILURE TO DO SO CAN CAUSE SERIOUS INJURY OR DEATH TO YOURSELF OR OTHERS AND MAY EXPOSE YOU TO POSSIBLE LEGAL ACTION. !

6 Vertical Mounting/ Setup Instructions

FOR VERTICAL MOUNT, FOLLOW THE STEPS BELOW. TO COMPLETE THE INSTALLATION, FOLLOW THE HORIZONTAL INSTRUCTIONS STARTING WITH STEP 3B AND CONTINUING THROUGH STEP 5.



LIMITED WARRANTY: Exclusion of Certain Damages

The **NEAR® LB-Series Loudspeakers** are warranted to be free from defects in material and workmanship for 12 (twelve) years from the date of sale to the original purchaser. Any part of any NEAR product covered by this warranty that, with normal installation and use, becomes defective (as confirmed by Bogen upon inspection) during the applicable warranty period, will be repaired or replaced by Bogen, at Bogen's option, provided the product is shipped insured and prepaid to: Bogen Factory Service Department, 50 Spring Street, Ramsey, NJ 07446, USA. Repaired or replacement product will be returned to you freight prepaid. This warranty does not extend to any of our products that have been subjected to abuse, misuse, improper storage, neglect, accident, improper installation or have been modified or repaired or altered in any manner whatsoever, or where the serial number or date code has been removed or defaced.

THE FOREGOING LIMITED WARRANTY IS BOGEN'S SOLE AND EXCLUSIVE WARRANTY AND THE PURCHASER'S SOLE AND EXCLUSIVE REMEDY FOR NEAR PRODUCTS. BOGEN MAKES NO OTHER WARRANTIES OF ANY KIND, EITHER EXPRESS OR IMPLIED, AND ALL IMPLIED WARRANTIES OF MERCHANTABILITY OR FITNESS FOR A PARTICULAR PURPOSE ARE HEREBY DISCLAIMED AND EXCLUDED TO THE MAXIMUM EXTENT ALLOWABLE BY LAW. Bogen's liability arising out of the manufacture, sale or supplying of NEAR products or their use or disposition, whether based upon warranty, contract, tort or otherwise, shall be limited to the price of the product. **IN NO EVENT SHALL BOGEN BE LIABLE FOR SPECIAL, INCIDENTAL OR CONSEQUENTIAL DAMAGES (INCLUDING, BUT NOT LIMITED TO, LOSS OF PROFITS, LOSS OF DATA OR LOSS OF USE DAMAGES) ARISING OUT OF THE MANUFACTURE, SALE OR SUPPLYING OF NEAR PRODUCTS, EVEN IF BOGEN HAS BEEN ADVISED OF THE POSSIBILITY OF SUCH DAMAGES OR LOSSES.** Some States do not allow the exclusion or limitation of incidental or consequential damages, so the above limitation or exclusion may not apply to you. This warranty gives you specific legal rights, and you may also have other rights which vary from State to State.

NEAR products that are out of warranty will also be repaired by the Bogen Factory Service Department -- same address as above or call 201-934-8500. The parts and labor involved in these repairs are warranted for 90 days when repaired by the Bogen Factory Service Department. All shipping charges in addition to parts and labor charges will be at the owner's expense. All returns require a Return Authorization number. For most efficient warranty or repair service, please include a description of the failure.

NEAR Products manufactured and labeled by other companies may be covered by warranties offered by such companies. Please call Bogen Customer Service or refer to product packaging for manufacturer's warranty for non-NEAR branded products.

7/22/2008

NEARTM
NOTHING COMES CLOSER

www.nearspeakers.com

50 Spring Street, Ramsey, NJ, USA • Tel. (855) 350-6327

NEAR is a Division of Bogen Communications, Inc.