



# Call-In/Emergency Switch

# Model CA15C

The Bogen Model CA15C is a momentary, rocker-type call switch designed for use in Bogen Multicom 2000® Communication Systems. When pushed and released once, the switch signals an administrator to establish a call through a two-way speaker. When pushed and released four times, the switch initiates an emergency call at the administrative station. The switch may also function as a single-push emergency switch, when the staff station is configured with Level 3 access.

The CA15C is designed for flush-mounting in a standard single-gang outlet box. Figure 1 illustrates the proper connection. The shield must not be grounded to the building ground at the outlet box or the speaker.

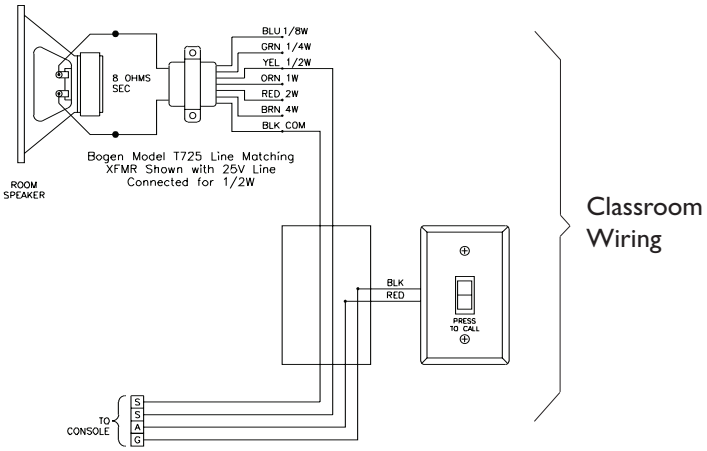


Figure 1 - CA15C Connecting Diagram

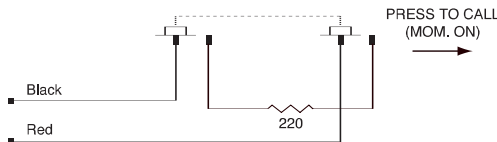


Figure 2 - CA15C Schematic Diagram