

BUFEX

Attenuator, Buffer, and Speaker Expander for Self-Amplified Speakers

Features

- Can drive up to 150 self-amplified speaker inputs
- 100V, 70V, 25V, and page port level selectable inputs
- Bypass trim control for emergency paging
- Continuously variable attenuator

Description

The BUFEX is a continuously variable speaker attenuator that allows the volume of a network of speakers to be remotely controlled. The BUFEX provides output buffering for up to 150 self-amplified speakers. It allows speaker system expansion for existing 100V, 70V, or 25V central amplifier systems.

The unit includes a bypass function for overriding the volume control knob setting when activated by a contact closure or open collector output. A bypass trim control adjusts the volume when in bypass mode with a maximum of 12 dB of attenuation. The BUFEX fits into a single gang electrical box.

Installation

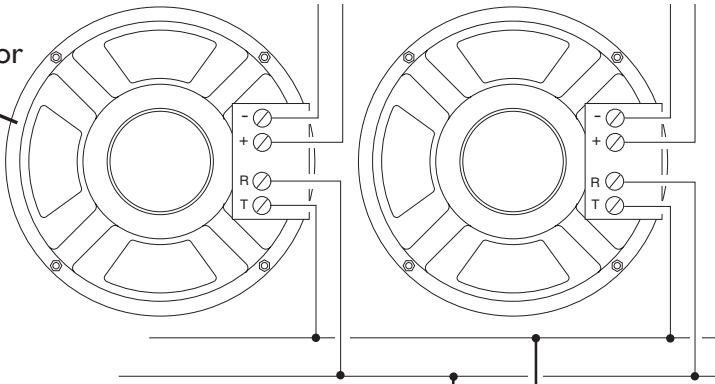
1. Make all the necessary electrical connections and jumper selection before installing unit.
2. Mount the unit to the electrical box using the 2 faceplate screws provided.

Package Contents

- (1) Installation and Use Manual
- (1) BUFEX Unit
- (2) Faceplate Screws

Typical Connections

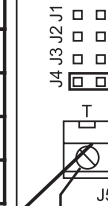
Buffered branch with BUFEX volume control (24V supply for this branch not shown)



Output Terminals

The Tip (T) and Ring (R) connections are transformer-isolated audio outputs with an output impedance of 8Ω . Connect these to the audio inputs of the amplified speakers for driving up to 150 speaker inputs.

INPUT SIGNAL TYPE	
100V	J1
70V	J2
25V	J3
T&R	J4



Input Terminals

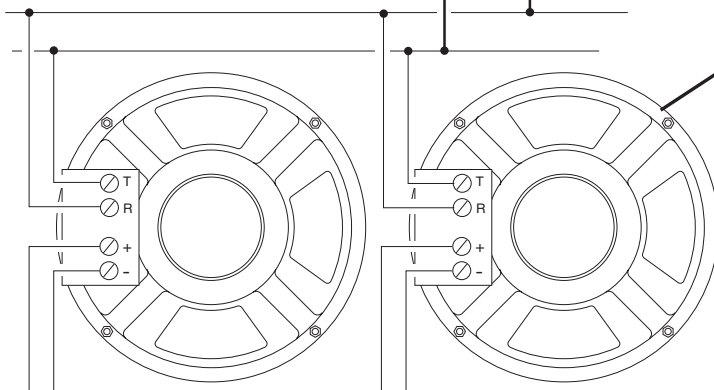
The input terminals can receive dry audio (Tip and Ring), as well as 100V, 70V, and 25V speaker signals depending on the input voltage type jumper setting.

24V DC Terminals

The BUFEX power consumption is 1CU (50 mA) @ 24V DC. Terminals are marked "+" and "-", but will function properly even if polarity connections are reversed.

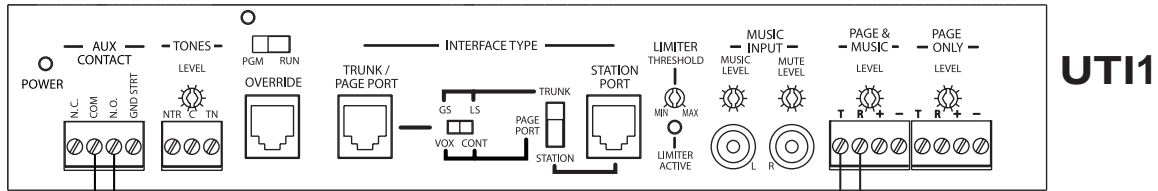
24V Power Supply

Existing branch that needs buffering or audio to area requiring local volume control (24V supply for this branch not shown).



Bypass Connection Examples

In the example below the AUX contacts of the UTI1 are programmed to close when the UTI1's Override (Emergency) input becomes active. The AUX contacts trigger the Bypass feature of the BUFEX allowing a full volume page to be heard regardless of the volume setting of the BUFEX. See previous page for power and output wiring.



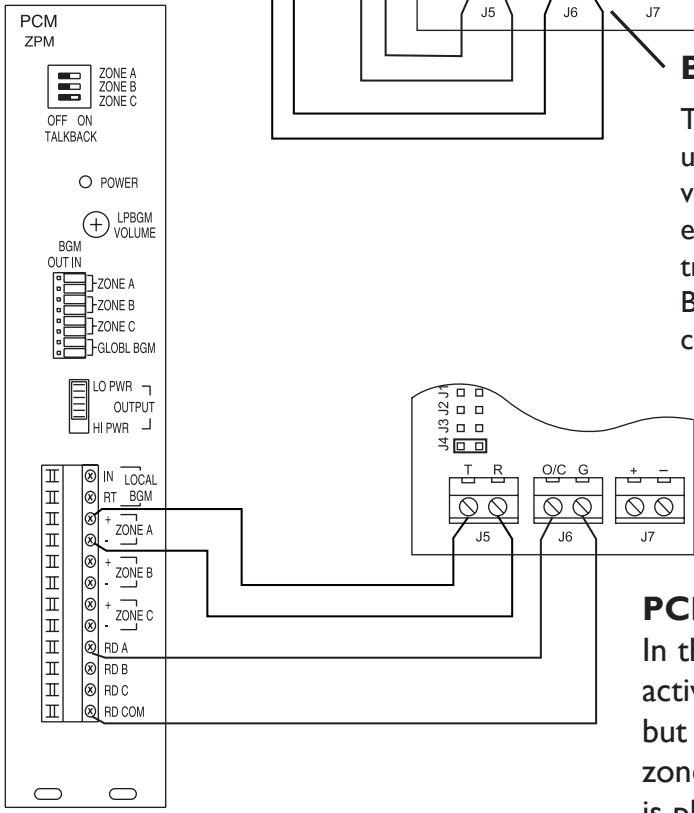
UTI1

Bypass Trim Control

The bypass trim control sets the volume when the unit bypasses the volume control knob (maximum attenuation of 12 dB).

Bypass Terminals

The bypass terminals override the volume control knob, thereby allowing a full volume page to be heard in the area even if the front-mounted volume control knob is set to maximum attenuation. Bypass can be triggered via a contact closure or an open collector output.

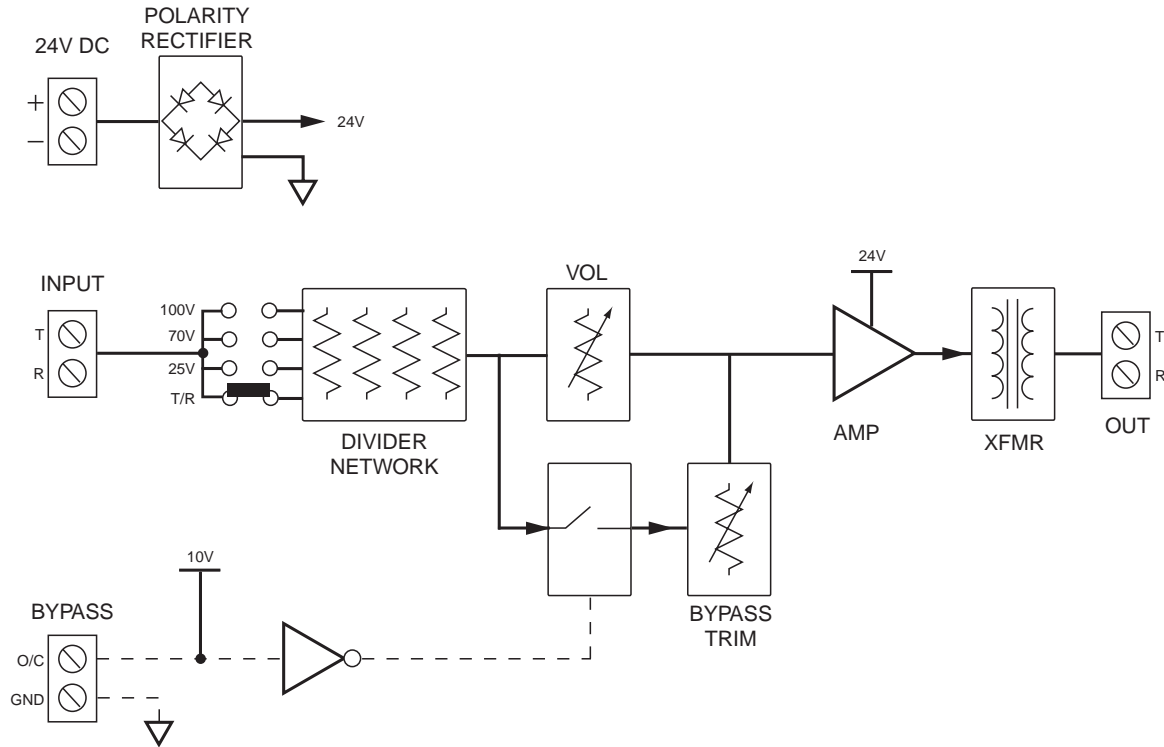


PCM-ZPM

PCM2000

In this configuration the Bypass feature activates when the zone is being paged, but allows volume control when the zone is inactive and background music is playing. See previous page for power and output connections.

Block Diagram



Limited Warranty

The BUFEK is warranted to be free from defects in material or workmanship for two (2) years from the date of sale to the original purchaser. Any part of the product covered by this warranty that, with normal installation and use, becomes defective will be repaired or replaced by Bogen, at our option, provided the product is shipped insured and prepaid to: Bogen Factory Service Department, 50 Spring Street, Ramsey, NJ 07446, USA. The product will be returned to you freight prepaid. This warranty does not extend to any of our products that have been subjected to abuse, misuse, improper storage, neglect, accident, improper installation or have been modified or repaired or altered in any manner whatsoever, or where the serial number or date code has been removed or defaced.

THE FOREGOING LIMITED WARRANTY IS BOGEN'S SOLE AND EXCLUSIVE WARRANTY AND THE PURCHASER'S SOLE AND EXCLUSIVE REMEDY. BOGEN MAKES NO OTHER WARRANTIES OF ANY KIND, EITHER EXPRESS OR IMPLIED, AND ALL IMPLIED WARRANTIES OF MERCHANTABILITY OR FITNESS FOR A PARTICULAR PURPOSE ARE HEREBY DISCLAIMED AND EXCLUDED TO THE MAXIMUM EXTENT ALLOWABLE BY LAW. Bogen's liability arising out of the manufacture, sale or supplying of products or their use or disposition, whether based upon warranty, contract, tort or otherwise, shall be limited to the price of the product. In no event shall Bogen be liable for special, incidental or consequential damages (including, but not limited to, loss of profits, loss of data or loss of use damages) arising out of the manufacture, sale or supplying of products, even if Bogen has been advised of the possibility of such damages or losses. Some States do not allow the exclusion or limitation of incidental or consequential damages, so the above limitation or exclusion may not apply to you. This warranty gives you specific legal rights, and you may also have other rights which vary from State to State.

Products that are out of warranty will also be repaired by the Bogen Factory Service Department -- same address as above or call 201-934-8500. The parts and labor involved in these repairs are warranted for 90 days when repaired by the Bogen Factory Service Department. All shipping charges in addition to parts and labor charges will be at the owner's expense. All returns require a Return Authorization number.

08/10/2004

BOGEN[®]
COMMUNICATIONS, INC.

www.bogen.com