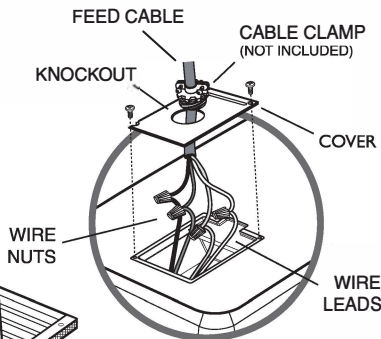
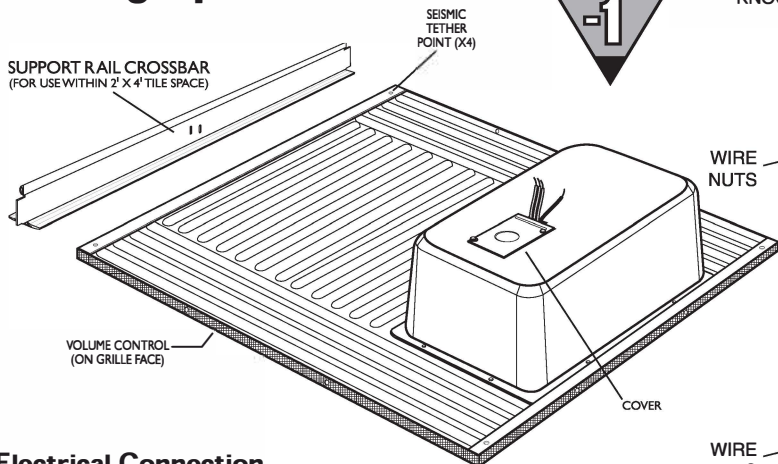
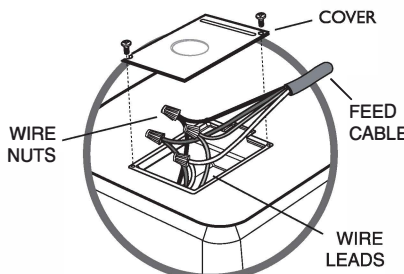


# Model ACD2X2 Amplified Drop-In Ceiling Speaker

**BOGEN®**



**OR**



## Electrical Connection

1. Remove cover, install cable clamp (if desired), and feed interconnecting cable into the electrical box.
2. Make audio connections to the "T" and "R" leads and the 24V DC connections to the "+" and "-" leads.

Note: The speaker will also work properly if the "+" and "-" connections are reversed.

3. Secure all mechanical connections and re-install the cover.
4. Adjust volume control using recessed screwdriver-adjustable volume control located on ceiling grille.

## Ceiling Installation

### 2ft. x 2ft. Tile Space

Drop ceiling speaker into space (crossbar not necessary).

### 2ft. x 4ft. Tile Space

Cut ceiling tile to 23-3/4". Place speaker in ceiling with the tile support rail crossbar facing the ceiling tile opening. Drop in the tile.

## 2-YEAR WARRANTY

The ACD2X2 is warranted to be free from defects in material or workmanship for two (2) years from the date of sale to the original purchaser. This warranty does not extend to any of our products that have been subjected to abuse, misuse, improper storage, neglect, accident, improper installation or have been modified or repaired or altered in any manner whatsoever, or where the serial number or date code has been removed or defaced.

ACD2X2 Connections	Power Supply Connections
BLACK Lead to	24V DC (+)
WHITE Lead to	24V DC (-)
BLUE Lead to	Audio Input (T)
RED Lead to	Audio Input (R)



**BOGEN®**  
COMMUNICATIONS, INC.  
www.bogen.com

Specifications subject to change without notice  
© 2005-2014 Bogen Communications, Inc.  
54-2131-01G 1411

MADE IN XXXXX