

Level Controls

Buffer/Expander/Volume Control

BUFEX



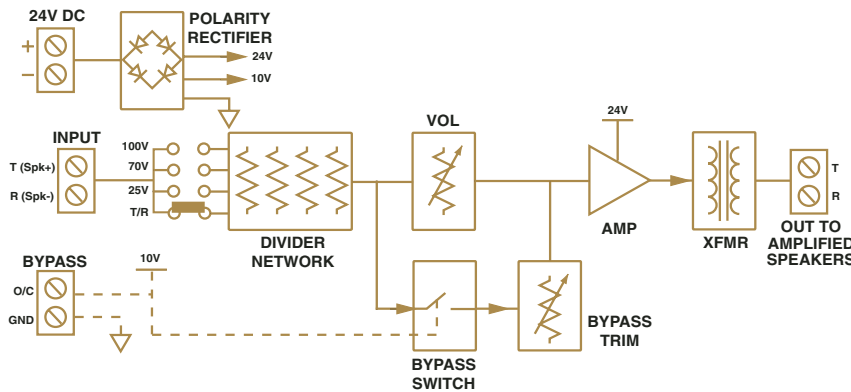
The **BUFEX** is a multi-purpose device that can work as a volume control for a network of speakers, and as a buffer that can drive up to 150 speakers. It also functions as a system expander when connecting to 100V, 70V, and 25V speaker systems.

To address the needs of emergency announcements, the BUFEX has a Bypass feature that allows emergency announcements to be heard at high levels regardless of the volume setting on the BUFEX. The BUFEX contains a Bypass Trim feature that allows some adjustment to the Bypass level.



FEATURES:

- Local volume control for a group of speakers
- Provides buffering for up to 150 self-amplified speakers
- Allows self-amplified speakers to work with 100/70/25V systems, expanding existing systems
- Continuously variable attenuator
- Rugged and attractive stainless steel wall plate with engraved lettering
- Mounts in single gang wall box
- Easy and secure terminal strip connections
- Jumper selectable 100V, 70V, or 25V speaker selections as well as T/R
- Bypass feature overrides local volume setting for high importance messages
- Bypass trim allows a maximum 12 dB attenuation over bypass announcements



Bypass
When the BUFEX's Bypass feature is activated (by an external contact closure), it overrides the local level setting of the BUFEX and allows important messages to be heard at maximum system volume.

Because page announcements are made at the maximum system volume in Bypass mode, the level may be overpowering in certain areas. The BUFEX includes a Bypass Trim feature that allows the installer (not the user) to lower the volume of an announcement in Bypass mode, but the amount of attenuation is limited to no more than 12 dB. This provides some relief from pages made at maximum system volume, but still ensures that messages made in the Bypass mode, which are typically emergency related, are significantly loud regardless of where the volume knob on the faceplate is set. The Bypass Trim will track the level of the faceplate knob and increase the alert message level proportionally up to maximum system volume.

Dimensions	Product Weight
2-7/8" W X 4-5/8" H X 2-1/2" D	Less Than 1 lb.

Signal Level Control

SLC

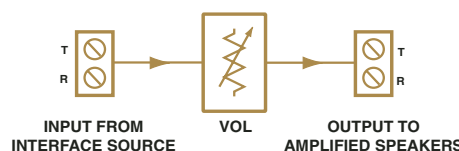


The **SLC** provides a simple and cost effective way to remotely control the volume level of a network of up to 150 speakers. Simply wire in series with the audio feed to the desired group of amplified speakers.



FEATURES:

- Continuously variable attenuator
- Rugged and attractive stainless steel wall plate with engraved lettering
- Mounts in single gang wall box
- Easy and secure terminal strip connections
- Passive (requires no DC power)



Dimensions	Product Weight
2-7/8" W X 4-5/8" H X 2" D	Less Than 1 lb.