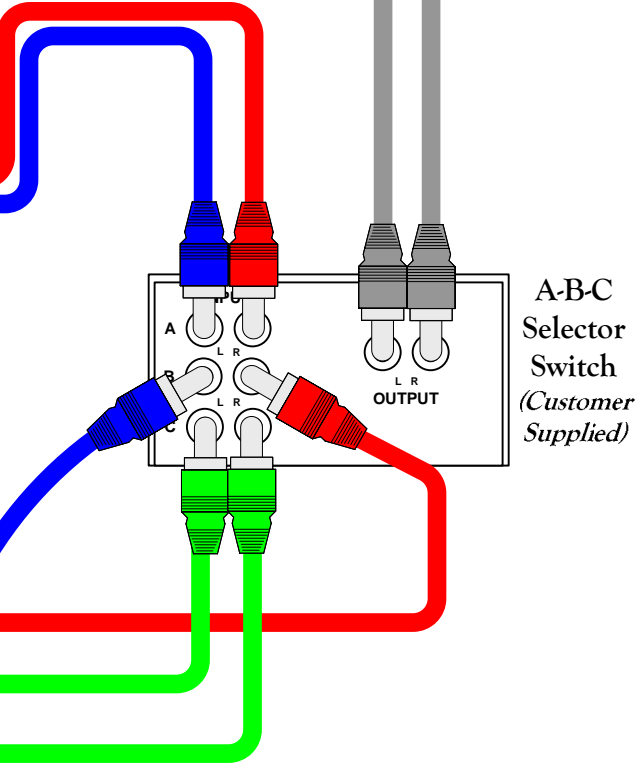
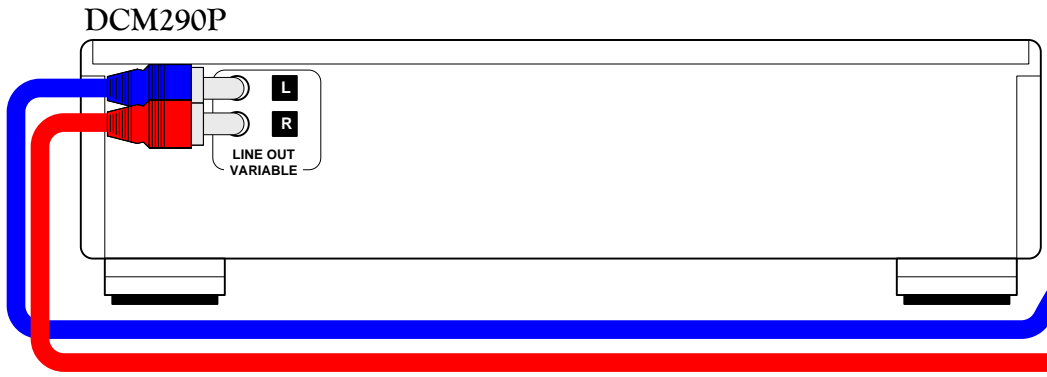
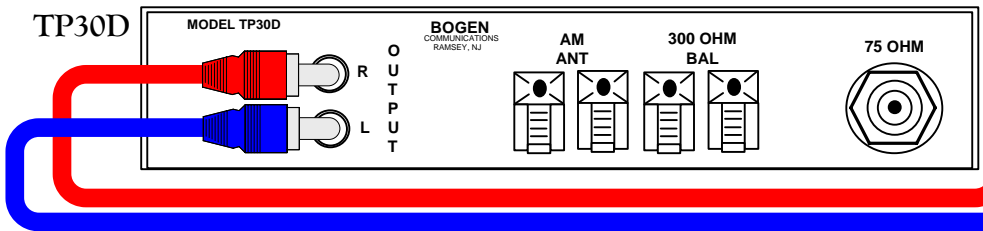
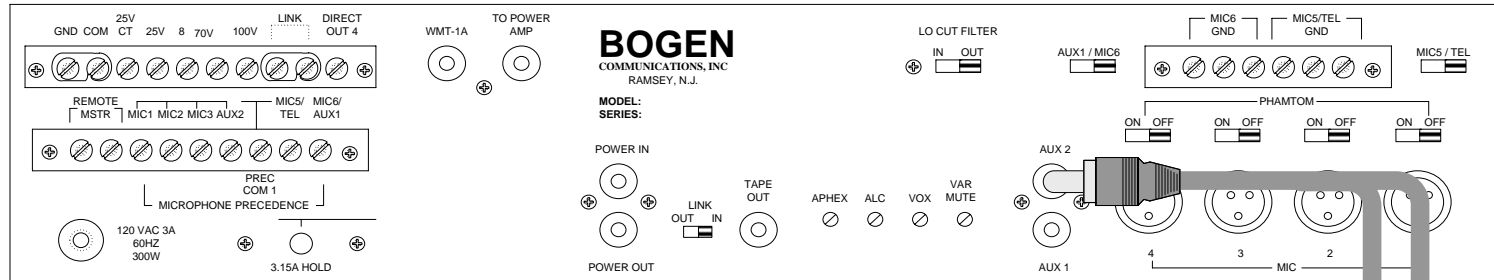


# Three Music Sources to GS Amplifier

## GS Amplifier



Line Level Output from Customer Supplied Line Level Music Source