

# BOGEN<sup>®</sup>

COMMUNICATIONS, INC.

## LOUDSPEAKER REFLEX TRUMPET

MODEL BAH

- BI-AXIAL DESIGN FOR FULL-RANGE SOUND PROJECTION
- UNIFORM SOUND PENETRATION AND CONTROLLED DIRECTIVITY
- INTEGRAL 180° GIMBAL-MOUNT FOR INSTALLATION FLEXIBILITY
- FOR INDOOR AND OUTDOOR APPLICATION IN HIGH INTELLIGIBILITY VOICE COMMUNICATIONS AND WITH FULL-RANGE MUSIC LOUDSPEAKER SYSTEMS
- ACCEPTS ALL 1 $\frac{3}{8}$ "—18 THREAD COMPRESSION DRIVERS

Bogen Model BAH is a reflex sound projector featuring unitized bi-axial projection, which eliminates phase cancellation. For optimum installation convenience, it incorporates a gimbal-mount, allowing directed sound flexibility in the horizontal and vertical planes.

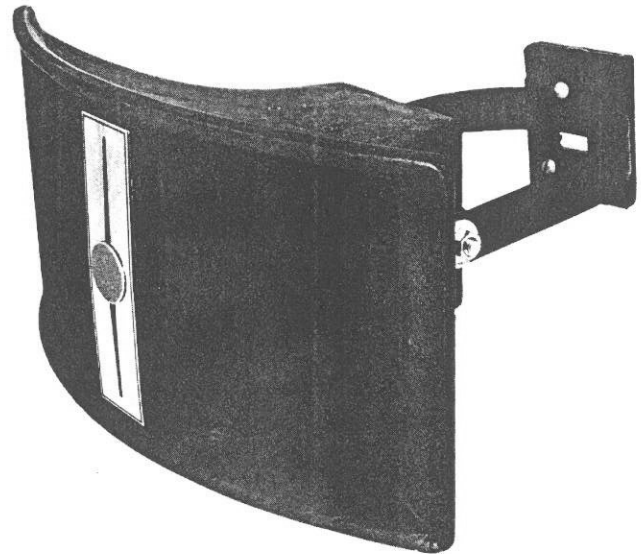
The computer calculated exponential design and twin air column assembly assure the constant dispersion pattern which has long been sought for wide angle audio projection.

When used with compatible compression driver, Model BAH will emphasize linear frequency response wherever sound-projection for voice, music and signalling is applicable. It is recommended for use in recreation or sports facilities, service and transportation centers, industry or commerce, manufacturing and storage areas, church or school buildings.

The BAH is finished in non-glaring matte black and, by its realistic size and attractive aesthetic appearance, blends unobtrusively into all commercial or decorative surroundings.

The unique mounting bracket of bi-axial Model BAH provides adjustable flexibility up to 180° vertical and horizontal and assures secure and labor-saving installation. The flared sectoral horn can be surface or flange-mounted, and is ideal to serve as mid-range component for two and three-way high-fidelity loudspeaker systems.

The rugged wide angle horn is molded of non-resonant structural foam. It is corrosion and environment-resistant, waterproof, equally suitable for outdoor and indoor installation, and designed to withstand hard use and extremes in temperature ranges.



## SPECIFICATIONS

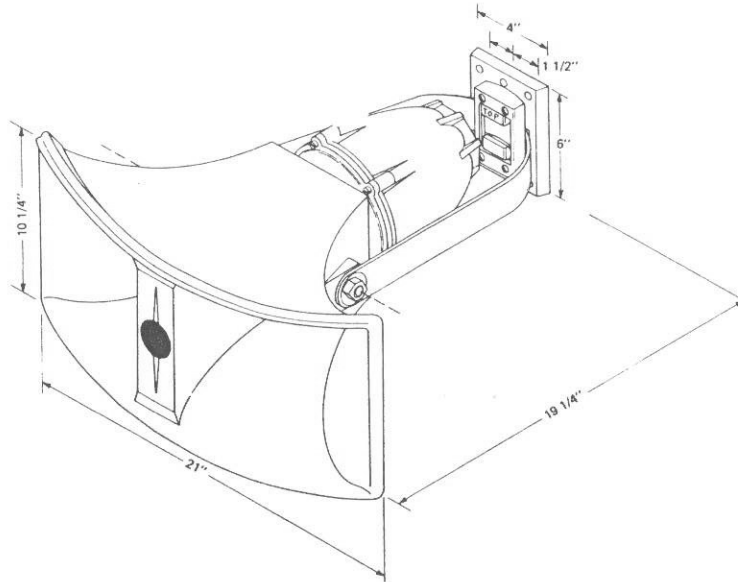
<b>DISPERSION</b>	
Horizontal	130°
Vertical	60°
<b>LOW FREQUENCY</b>	
ROLL OFF:	200 Hz
<b>AIR COLUMN LENGTH</b>	32 in.
<b>SOUND LEVEL</b>	With Model DR-40 T Driver 127 dB (Consult reference chart for other compression driver models)
<b>OVERALL DIMENSIONS</b>	21" W x 10 $\frac{1}{4}$ " H x 19 $\frac{1}{2}$ " D 53.3 cm x 26.0 cm x 48.9 cm )
<b>PROJECTOR SIZE</b>	21" W x 10 $\frac{1}{4}$ " H x 10 $\frac{1}{4}$ " D
<b>HORN MATERIAL</b>	Non-resonant, weatherproof molded structural form with steel bracket and cast mounting base
<b>FINISH</b>	Textured black with decorative plate
<b>WEIGHT</b>	10 lbs. (4.5 kg)

## ARCHITECT'S and ENGINEER'S SPECIFICATIONS

Sound projector shall be Bogen Model BAH or approved equal incorporating a unitized bi-axial twin reflex air column assembly for constant dispersion pattern.

Low frequency roll off shall be 200 Hz., air column length 32", and the sound dispersion pattern shall be 130° horizontal and 60° vertical. The bi-axial sound projector shall accommodate compression-driver units with standard 1 3/8" - 18 thread, and shall measure 21" wide, 10 1/4" high and 19 1/4" depth.

The projector bell shall be weatherproof and constructed of non-resonant molded foam textured in black. A steel mounting bracket and cast installation base shall provide adjustable flexibility in sound focusing up to 180° vertical and horizontal. The gimbal-mount shall include provisions for surface installation, banding or strapping.



### SOUND PRESSURE LEVELS FOR VARIOUS BOGEN COMPRESSION DRIVERS

Model DR-30 Driver: 127 dB

Model DR-30T Driver: 125 dB

Model DR-40T Driver: 127 dB

Sound pressure level readings measured 4 ft. on axis of Model BAH Projector with integrated full power input (ref. 0.0002 dynes/cm<sup>2</sup>).

