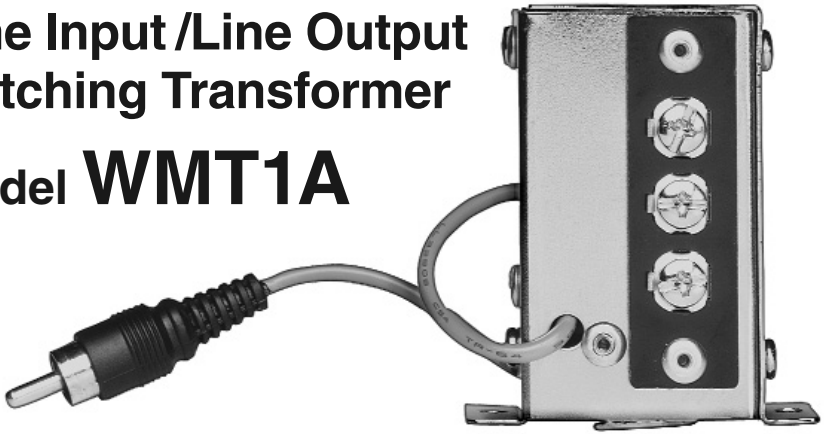
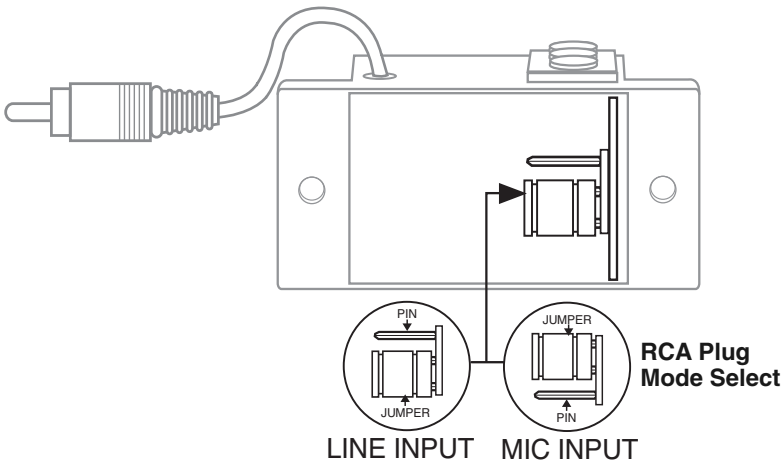
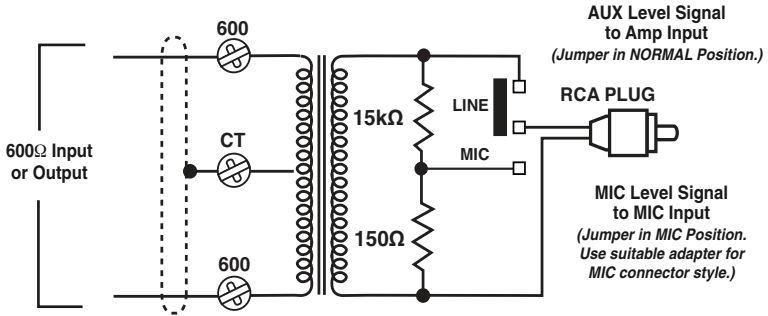


Line Input /Line Output Matching Transformer Model **WMT1A**

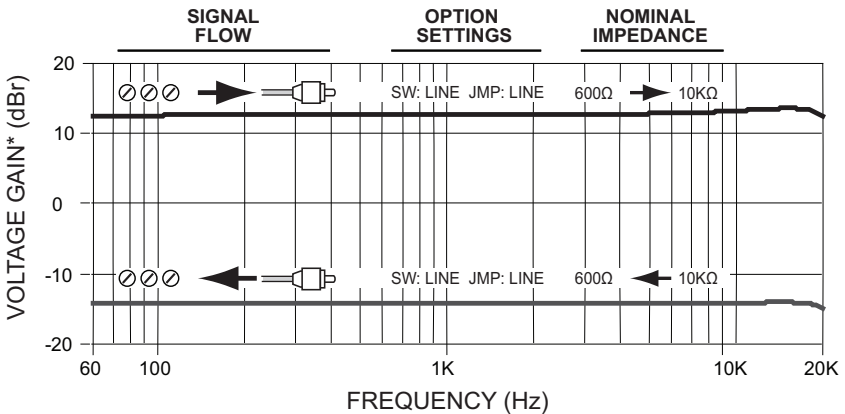


The **WMT1A** is a balanced and isolated impedance matching transformer. Typical uses are to provide a 600-ohm balanced input adapter for unbalanced AUX inputs. WMT1A can also be used to drive long, balanced, twisted pair cable. This improves noise rejection and the maximum run length. The WMT1A can adapt line-level signals down to levels suitable for MIC inputs. See the drawing below for setting the Operating Modes.





TYPICAL PERFORMANCE



* SOURCE IMP= 40Ω, LOAD IMP = 100kΩ

LIMITED WARRANTY

The **WMT1A** is warranted to be free from defects in material or workmanship for two (2) years from the date of sale to the original purchaser. This warranty does not extend to any of our products that have been subjected to abuse, misuse, improper storage, neglect, accident, improper installation or have been modified or repaired or altered in any manner whatsoever, or where the serial number or date code has been removed or defaced.

BOGEN[®]
COMMUNICATIONS, INC.

50 Spring Street, Ramsey, NJ USA
Tel.: 201-934-8500 • Fax: 201-934-9832
www.bogen.com