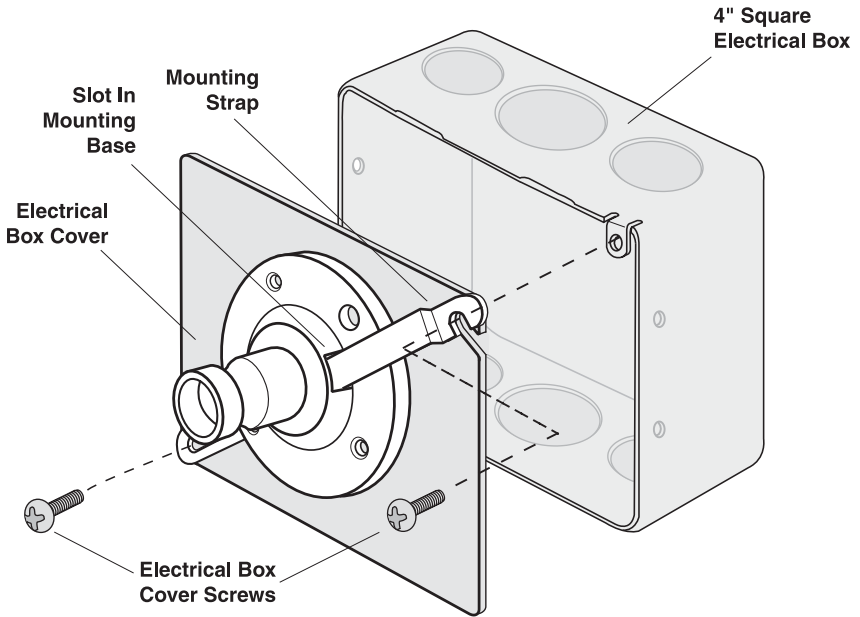




Electrical Box Mounting Strap

Models SAH5 / SAH15 / SAH30

The SAH5, SAH15, and SAH30 each include a mounting strap to permit mounting to a 4" square electrical box with cover. Electrical box, cover, and screws are not included.



Specifications subject to change without notice.
© 2005 Bogen Communications, Inc.
Part No. 23-7190-12B 0610

BOGEN[®]
COMMUNICATIONS, INC.

50 Spring Street, Ramsey, NJ 07446, U.S.A.
Tel. 201-934-8500, Fax: 201-934-9832, www.bogen.com