

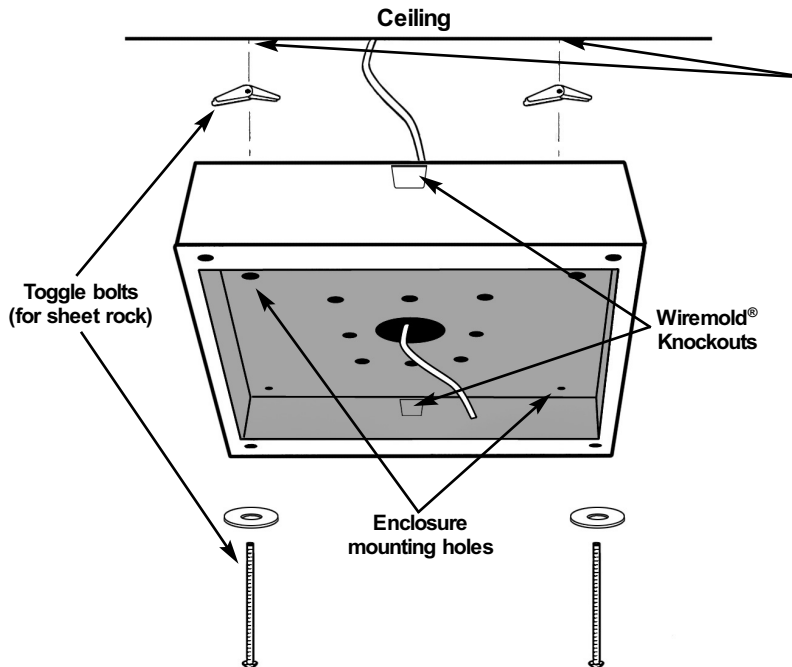
AMBSL1, AMBSQ1

1W Self-Amplified Metal Box Speakers For Surface Mounting to Walls and Ceilings



Installation Instructions

1. Determine where the speaker(s) will be mounted. Do not mount speakers near noise generating equipment (fans, motors) and do not use where a normal conversation can not be conducted. Ensure power is not connected to speaker wires prior to installation. Follow all local safety and building codes and route speaker wires to desired wall or ceiling location. Pull approximately 12" of wire through opening in mounting surface.
2. Pull speaker wire through the back of the large opening of the speaker enclosure. Using the supplied mounting hardware, secure the enclosure to the mounting surface (**Figure 1**). Note that two toggle bolts (for sheet rock surfaces) and two wood screws (for securing to solid wood/beams) have been included. Utilize the two washers (supplied) with either toggle bolts, wood screws, or other user supplied hardware.



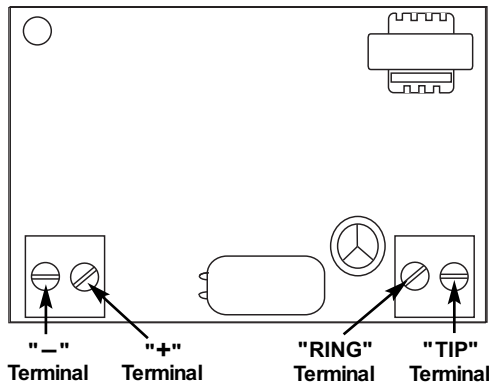
Use two of the enclosure's mounting holes as a template (diagonally opposed), and mark screw hole locations. If toggle bolts will be used, drill two, 1/2" diameter holes in the mounting surface, otherwise drill a hole appropriate for hardware being used.

Figure 1 - Sheet rocked ceiling mount example

Package Contents:

- Back box enclosure
- Grille with speaker assembly
- Two crimp-type connectors
- Two toggle bolts
- Two pluggable screw terminals
- Two wood screws
- Two washers
- Four 1" screws for attaching grille assembly
- Detachable Knob

Figure 2: Amplifier PC Board

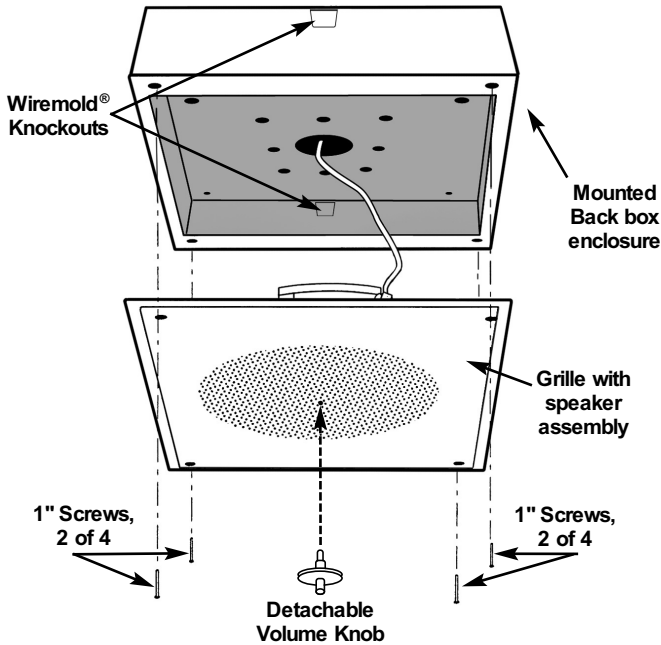


3. Make electrical connections. Power (24V DC) and audio are supplied to each speaker via separate 2-terminal plug-gable connectors (**Figure 2**). When two or more speakers are used in a single paging station, wire all audio and power supply connections in parallel.

Power supply connections are made at the 24V DC screw terminals marked "+" and "-". The speaker power input is not polarity sensitive and will also work properly if the "+" and "-" connectors are reversed.

Audio Input connections are made at the screw terminals marked "TIP" and "RING." Connect all TIP terminals together and all RING terminals together. Reversing these connectors on a speaker will cause it to cancel bass response of adjacent speakers.

Figure 3: Secure Faceplate



4. Secure the speaker/faceplate assembly to the mounted enclosure (**Figure 3**). Use four 1" screws (included).
5. Attach the rotary knob to adjust the speaker's volume (**Figure 3**). The knob is detachable to prevent tampering with the volume, and can be left in place or removed as desired.

Limited Warranty; Exclusion of Certain Damages

The AMBSL1 and AMBSQ1 are warranted to be free from defects in material or workmanship for two (2) years from the date of sale to the original purchaser. Any part of the product covered by this warranty that, with normal installation and use, becomes defective will be repaired or replaced by Bogen, at our option, provided the product is shipped insured and prepaid to: Bogen Factory Service Department, 50 Spring Street, Ramsey, NJ 07446, USA. The product will be returned to you freight prepaid. This warranty does not extend to any of our products that have been subjected to abuse, misuse, improper storage, neglect, accident, improper installation or have been modified or repaired or altered in any manner whatsoever, or where the serial number or date code has been removed or defaced.

THE FOREGOING LIMITED WARRANTY IS BOGEN'S SOLE AND EXCLUSIVE WARRANTY AND THE PURCHASER'S SOLE AND EXCLUSIVE REMEDY. BOGEN MAKES NO OTHER WARRANTIES OF ANY KIND, EITHER EXPRESS OR IMPLIED, AND ALL IMPLIED WARRANTIES OF MERCHANTABILITY OR FITNESS FOR A PARTICULAR PURPOSE ARE HEREBY DISCLAIMED AND EXCLUDED TO THE MAXIMUM EXTENT ALLOWABLE BY LAW. Bogen's liability arising out of the manufacture, sale or supplying of products or their use or disposition, whether based upon warranty, contract, tort or otherwise, shall be limited to the price of the product. IN NO EVENT SHALL BOGEN BE LIABLE FOR SPECIAL, INCIDENTAL OR CONSEQUENTIAL DAMAGES (INCLUDING, BUT NOT LIMITED TO, LOSS OF PROFITS, LOSS OF DATA OR LOSS OF USE DAMAGES) ARISING OUT OF THE MANUFACTURE, SALE OR SUPPLYING OF PRODUCTS, EVEN IF BOGEN HAS BEEN ADVISED OF THE POSSIBILITY OF SUCH DAMAGES OR LOSSES. Some States do not allow the exclusion or limitation of incidental or consequential damages, so the above limitation or exclusion may not apply to you. This warranty gives you specific legal rights, and you may also have other rights which vary from State to State.

Products that are out of warranty will also be repaired by the Bogen Factory Service Department -- same address as above or call 201-934-8500. The parts and labor involved in these repairs are warranted for 90 days when repaired by the Bogen Factory Service Department. All shipping charges in addition to parts and labor charges will be at the owner's expense. All returns require a Return Authorization number.

7/22/2008

Wiremold® is a Registered Trademark of Wiremold/Legrand