



Orbit Pendant Speaker OPS1

Installation and Use Manual

Product Description

Thank you for choosing NEAR® Orbit Pendant Loudspeakers. You have purchased one of the finest pendant loudspeakers available today, the NEAR Model OPS1. Please familiarize yourself with this product by reading and reviewing the descriptions and diagrams in this manual.

All NEAR products include similar technical and design aspects that are unique to the market. NEAR invented and patented the "spiderless" woofer (MLS™), which features a high-gauss ferrofluid to guide the voice coil through the magnetic field. The benefits over conventional woofers with cloth spiders are several, including the ability to constantly adjust voice coil alignment, extend linear excursion, and the most efficient path for cooling the voice coil.

In addition, the use of metal-alloy cone structures provides several benefits over the usual paper or plastic cone, such as elimination of cone flex or "break-up" in the operating ranges, additional thermal path for the voice coil to stay cool, and an extremely stable cone structure unaffected by changes in temperature.

The NEAR OPS1 Pendant Loudspeaker is a full-range, wide dispersion system providing overhead sound coverage where ceiling structures are high but the sound needs to be closer to the audience/listener. An optional cable kit (CK10), suitable for safety or main drop cable, is available.

Settings for both 70V and 100V high-impedance systems, as well as a low-impedance (16-ohm) position, are provided.

The OPS1 features a removable snap-lock input connector, providing easy wire connection for input as well as loop-through to the next speaker.

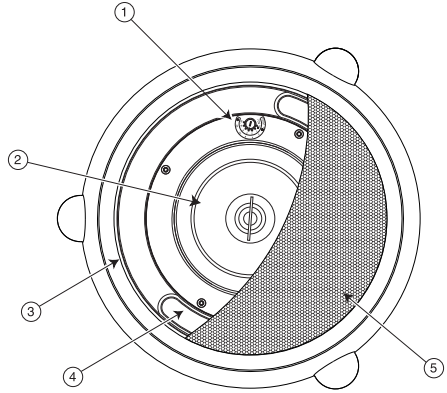
IMPORTANT

The OPS1 is not an outdoor speaker. Do not expose the speaker to rain or moisture. The OPS1 should be installed by qualified personnel.

Product Diagrams

OPS1 Front Drawing

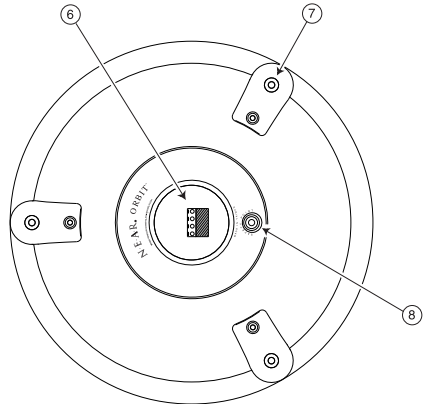
1. Tap Selection Switch
2. Coaxial Driver Assembly
3. Grille Retention Slot
4. Bass Tuning Vent (x2)
5. Perforated Steel Grille



OPS1 Front Drawing
(grille partially shown)

OPS1 Rear Drawing

6. Snap-Lock Input Connector
7. Suspension Points (x3)
8. Safety Cable Suspension Point



OPS1 Rear Drawing

Package Contents

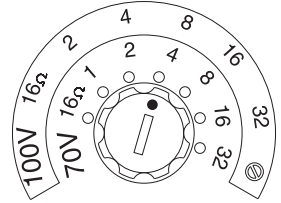
- (1) Orbit Pendant Speaker
- (1) Snap-Lock Input Connector
- (1) Quick-Snap Clip
- (3) Suspension Cables with Forged Eyebolts
- (3) Nuts (may be installed onto eyebolts)
- (1) Installation and Use Manual

Selecting Power Level


Select the power level using the front-mounted selector switch. The speaker grille must be removed prior to selecting the power level. See *Speaker Grille Installation & Removal* section for proper grille removal procedures.

Selecting Power Level

The front-mounted selector switch (under grille) is used to set the appropriate power level or impedance for your system. Using a small flat-blade screwdriver, turn the knob until the slot points to the power level you require.



70V/100V Systems

Both power setting scales for 70V and 100V systems are labeled on the speakers. On the 100V scale, the last position clockwise is marked with a  (not available) symbol. Do not use this position in 100V systems.

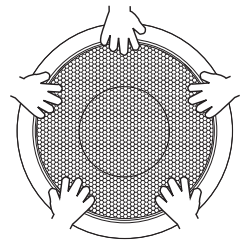
16Ω Systems

The fully counterclockwise position of the setting switch is the 16-ohm position. This setting is suitable for use with low-impedance amplifiers that typically support 4- or 8-ohm speakers. The speaker's higher, 16-ohm impedance makes it easier to combine multiple speakers into series-parallel networks while keeping the total system impedance at a level suitable for low-impedance amplifiers.

Speaker Grille Installation & Removal

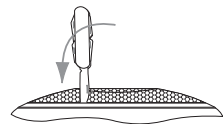
Installation

The speaker grille fits tightly! Make sure the tap settings are correct prior to re-installing grille. Push the speaker grille in until it can go no further. Then, slap around the edge of the grille to seat the grille. The grille is properly seated when it is flush with the edge of the bezel.



Removal

Insert a pocketknife blade between the grille and the bezel about 1/4" deep and then gently pry the grille upwards. Do this in multiple places around the circumference of the grille to free the grille.

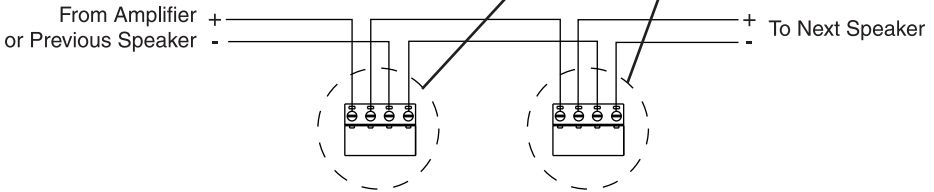


Speaker Wiring

Wiring is terminated at a snap-lock input connector. There are two positive and two negative terminals to accommodate daisy-chaining of speakers in a system. All wiring should be done prior to installation and then plugged into the rear of the OPS1.

Daisy-Chaining

The OPS1's snap-lock input connector allows for easy daisy-chaining of speakers by providing a second terminal of each polarity. Refer to the figures for proper wiring for daisy-chaining of terminals.



Speaker Phasing

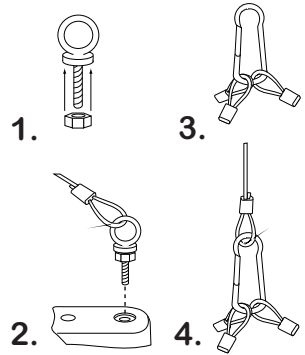
Keep the same polarity terminals wired together to ensure correct phasing. In order to provide the best possible sound, all of the speakers in a system need to be pushing out and pulling in at the same time.

If the connections to one speaker in a system are reversed from the others, that speaker's movement will be out of sync with the other speakers. This will result in a loss of low frequency response and will effect the overall performance of the system.

Speaker Installation

Suspension Cable Assembly

1. Screw the nuts onto the three (3) eyebolts all the way to the flange.
2. Screw in eyebolts with captured cable sections into the three (3) suspension points. Do not overtighten.
3. Snap the loops of the three (3) free ends of the cable sections into the quick-snap clip.
4. Connect the quick-snap clip to the drop cable loop (not included).

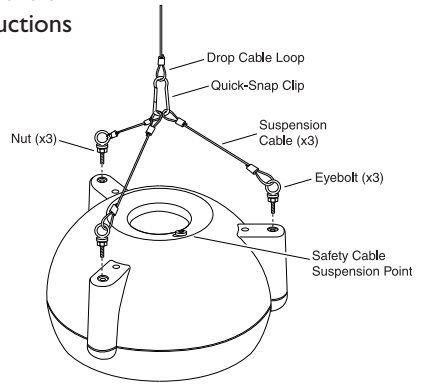


Safety Cable (not included)

The speaker includes a safety cable suspension point for extra protection. Refer to instructions with cable kits for proper use.

IMPORTANT

The anchor point and any hardware used to anchor the speaker must be able to support the speaker's weight under all conditions. IF YOU ARE NOT SURE OF THE PROPER CAPACITY OF THESE ITEMS TO USE, CONSULT A STRUCTURAL ENGINEER. Mount only one speaker per supplied quick-snap clip.



Accessory

CK10 (Cable Kit, 10')

The CK10 is a 10-foot cable with one looped end, a forged eyebolt (with 1/4-20" x 1/2" thread), and an adjustable cable clamp. It is suitable for use as a drop cable or safety cable. The CK10 is available in black, white, or silver.

Specifications

SPECIFICATIONS	OPS1
Frequency Response (-10 dB)*	45 Hz to 19 kHz
LF Driver	6- $\frac{1}{2}$ " MDT Metal-Alloy Cone (MLS Voice Coil Centering System)
HF Driver	20 mm ($\frac{3}{4}$ ") Polycarbonate Dome
Sensitivity (1W/1 m)	89.5 dBspl
Dispersion	140°
Impedance Ratings	Low (16 ohms) / High (70V/100V)
Power Input (Max.)	100W @ 16 ohms; 32W @ 70V/100V
Power Settings (in watts)†	70V: 32, 16, 8, 4, 2, 1W 100V: 32, 16, 8, 4, 2W
Enclosure Material	Fire-rated (94VO) ABS
Grille Material	Powder-Coated Perforated Metal
Terminations	4 Terminal Snap-Lock Input Connector
Product Weight	10 lb.
Speaker Dimensions	15" dia. x 9- $\frac{1}{4}$ " D
Included Accessories	(1) Quick-Snap Clip; (1) Snap-Lock Input Connector; (3) Suspension Cables with Forged Eye Bolts; (3) Nuts
Optional Accessories	Cable Kit (CK10)
Enclosure Finish & Color	Textured Off-white or Dark Gray
Listings	CSA/UL Listed

*Free Space Response, 16-ohm input

† Front panel, switch-selected.

Limited Warranty

The Orbit Pendant Speaker, model OPS1, is warranted to be free from defects in material or workmanship for five (5) years from the date of sale to the original purchaser. Any part of the product covered by this warranty that, with normal installation and use, becomes defective will be repaired or replaced by Bogen, at our option, provided the product is shipped insured and prepaid to: Bogen Factory Service Department, 50 Spring Street, Ramsey, NJ 07446, USA. The product will be returned to you freight prepaid. This warranty does not extend to any of our products that have been subjected to abuse, misuse, improper storage, neglect, accident, improper installation or have been modified or repaired or altered in any manner whatsoever, or where the serial number or date code has been removed or defaced.

THE FOREGOING LIMITED WARRANTY IS BOGEN'S SOLE AND EXCLUSIVE WARRANTY AND THE PURCHASER'S SOLE AND EXCLUSIVE REMEDY. BOGEN MAKES NO OTHER WARRANTIES OF ANY KIND, EITHER EXPRESS OR IMPLIED, AND ALL IMPLIED WARRANTIES OF MERCHANTABILITY OR FITNESS FOR A PARTICULAR PURPOSE ARE HEREBY DISCLAIMED AND EXCLUDED TO THE MAXIMUM EXTENT ALLOWABLE BY LAW. Bogen's liability arising out of the manufacture, sale or supplying of products or their use or disposition, whether based upon warranty, contract, tort or otherwise, shall be limited to the price of the product. In no event shall Bogen be liable for special, incidental or consequential damages (including, but not limited to, loss of profits, loss of data or loss of use damages) arising out of the manufacture, sale or supplying of products, even if Bogen has been advised of the possibility of such damages or losses. Some States do not allow the exclusion or limitation of incidental or consequential damages, so the above limitation or exclusion may not apply to you. This warranty gives you specific legal rights, and you may also have other rights which vary from State to State.

Products that are out of warranty will also be repaired by the Bogen Factory Service Department -- same address as above or call 201-934-8500. The parts and labor involved in these repairs are warranted for 90 days when repaired by the Bogen Factory Service Department. All shipping charges in addition to parts and labor charges will be at the owner's expense. All returns require a Return Authorization number.

8/2004

BOGEN[®]
COMMUNICATIONS, INC.

50 Spring Street, Ramsey, NJ 07446, U.S.A.
Tel. 201-934-8500, Fax: 201-934-9832, www.bogen.com