

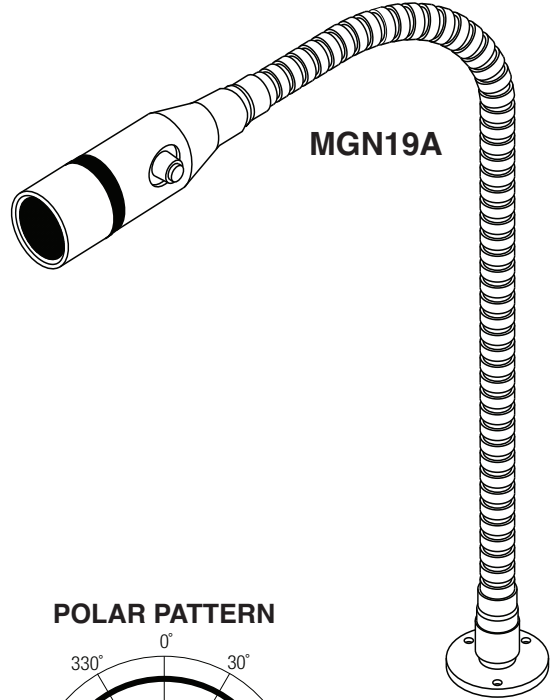
MGN19A

Industrial Gooseneck Microphone



DESCRIPTION

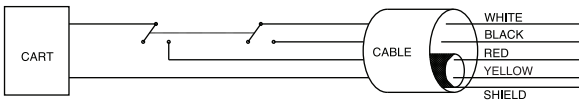
The Bogen **MGN19A** is a push-button, omni-directional, dynamic microphone designed for quality sound installations. The microphone is extremely rugged and reliable and is designed to stand up under the most strenuous handling conditions to provide years of dependable service. A smooth wide band frequency response with intentional boost above 1.5kHz gives a natural, crisp, highly intelligible sound. The microphone is furnished with a 18.15" fully flexible gooseneck and mounting flange.



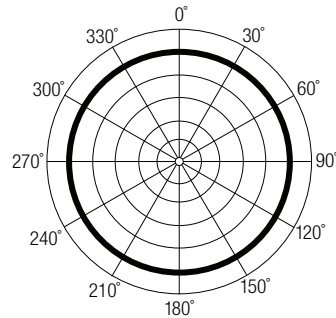
SPECIFICATIONS

Element:	Dynamic
Polar Pattern:	Omni-directional
Frequency Response:	70 to 15kHz
Output:	-70 dB (0 dB = 1V/microbar); ±3dB
Impedance:	500 ohms, ±30% (@1kHz)
Max Input SPL:	130dB @ 1kHz
Switch:	DPDT push-button switch
Cable:	5 feet of four-conductor, two-shielded, permanently attached, rugged, synthetic jacketed cable
Dimensions:	23.66" H x 1.42" dia.
Product Weight:	1.34 lbs.
Finish:	Anodized Black
Gooseneck:	Electro-deposition coating, 18.15"

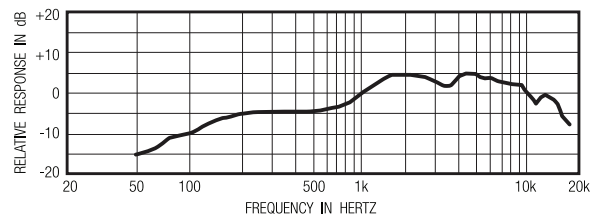
WIRING DIAGRAM



POLAR PATTERN



FREQUENCY RESPONSE GRAPH



LIMITED WARRANTY; Exclusion of Certain Damages

Bogen MGN19A Microphone is warranted to be free from defects in material and workmanship for one (1) year from the date of sale to the original purchaser. Any part of the product covered by this warranty that, with normal installation and use, becomes defective (as confirmed by Bogen upon inspection) during the applicable warranty period, will be repaired or replaced by Bogen, at Bogen's option, provided the product is shipped insured and prepaid to: Bogen Factory Service Department, 4570 Shelby Air Drive, Suite 11, Memphis, TN 38118 USA. Repaired or replacement product will be returned to you freight prepaid. This warranty does not extend to any of our products that have been subjected to abuse, misuse, improper storage, neglect, accident, improper installation or have been modified or repaired or altered in any manner whatsoever, or where the serial number or date code has been removed or defaced.

THE FOREGOING LIMITED WARRANTY IS BOGEN'S SOLE AND EXCLUSIVE WARRANTY AND THE PURCHASER'S SOLE AND EXCLUSIVE REMEDY. BOGEN MAKES NO OTHER WARRANTIES OF ANY KIND, EITHER EXPRESS OR IMPLIED, AND ALL IMPLIED WARRANTIES OF MERCHANTABILITY OR FITNESS FOR A PARTICULAR PURPOSE ARE HEREBY DISCLAIMED AND EXCLUDED TO THE MAXIMUM EXTENT ALLOWABLE BY LAW. Bogen's liability arising out of the manufacture, sale or supplying of products or their use or disposition, whether based upon warranty, contract, tort or otherwise, shall be limited to the price of the product. **IN NO EVENT SHALL BOGEN BE LIABLE FOR SPECIAL, INCIDENTAL OR CONSEQUENTIAL DAMAGES (INCLUDING, BUT NOT LIMITED TO, LOSS OF PROFITS, LOSS OF DATA OR LOSS OF USE DAMAGES) ARISING OUT OF THE MANUFACTURE, SALE OR SUPPLYING OF PRODUCTS, EVEN IF BOGEN HAS BEEN ADVISED OF THE POSSIBILITY OF SUCH DAMAGES OR LOSSES.** Some States do not allow the exclusion or limitation of incidental or consequential damages, so the above limitation or exclusion may not apply to you. This warranty gives you specific legal rights, and you may also have other rights which vary from State to State.

Products that are out of warranty will also be repaired by the Bogen Factory Service Department – same address as above or call 201-934-8500. The parts and labor involved in these repairs are warranted for 90 days when repaired by the Bogen Factory Service Department. All shipping charges in addition to parts and labor charges will be at the owner's expense. All returns require a Return Authorization number. For most efficient warranty or repair service, please include a description of the failure.

11/2014