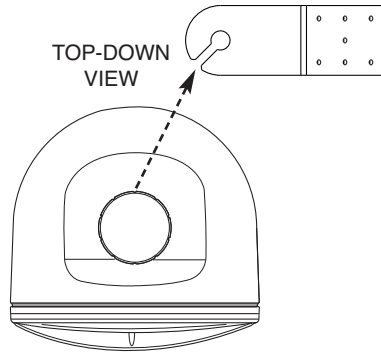


MOUNTING THE SPEAKER ON THE YOKE

The speaker's yoke allows the speaker to be slipped onto it with the locking knobs attached. First, both knobs need to be removed and the supplied rubber friction disks applied to the speaker enclosure where the knobs clamp. Do not apply the friction disks directly to the mounting knobs. Next, screw the knobs back onto the enclosure about two turns and simply slide the knob shafts down the slots in the yoke. Now tighten the knobs making sure that the shoulder of the knob seats properly through the large hole at the end of the yoke.



SOME FACTORS TO CONSIDER

Distance is not the only factor affecting sound intensity. Also consider what adjacent surfaces may affect the sound (including but not limited to buildings, walls, and overhangs). These structures may provide positive effects (low frequency reinforcement) or negative effects (high-frequency reflections that will degrade intelligibility).

SPECIFICATIONS

MODEL NUMBER	A2 / A2T	A6 / A6T	A8 / A8T
LF Driver	6" MDT	6" MDT	8" MDT
HF Driver	1/2" Polycarbonate	1-1/8" Titanium	1-1/8" Titanium
Freq. Response (-10 dB)*	58 Hz to 17 kHz	55 Hz to 17 kHz	45 Hz to 17 kHz
Impedance	8-ohm / 70V	8-ohm / 70V	8-ohm / 70V
Power Handling (8-ohm/70V)	100W / 16W	150W / 32W	175W / 64W
Sensitivity (1M/1W, 8-ohm)	88 dBspl	89 dBspl	91 dBspl
Additional Taps (70V)	8W, 4W (A2T)	16W, 8W (A6T)	32W, 16W (A8T)
Dispersion Angles	Horiz. - 80° Vert. - 80°	Horiz. - 110° Vert. - 45° (up), 35° (down)	Horiz. - 100° Vert. - 35° (up), 45° (down)
Speaker Dimensions**	9" W x 8" dia. x 8-1/4" D	13-7/8" W x 7-1/8" H x 7-3/4" D	17-7/8" W x 10-1/4" H x 10" D
Shipping Weight	10 lb. / 12 lb.	14 lb. / 15 lb.	21 lb. / 24 lb.
Terminations	Gold-Plated, Rust Proof Barrier Strip		
Cabinet Color	Black or White		

*Half-Space Response

**All Dimensions are with Knobs & Brackets attached

LIMITED WARRANTY; EXCLUSION OF CERTAIN DAMAGES

The **Bogen A-Series Loudspeakers** are warranted to be free from defects in material or workmanship for five (5) years from the date of sale to the original purchaser. This warranty does not extend to any of our products that have been subjected to abuse, misuse, improper storage, neglect, accident, improper installation or have been modified or repaired or altered in any manner whatsoever, or where the serial number or date code has been removed or defaced. Other exclusions apply.

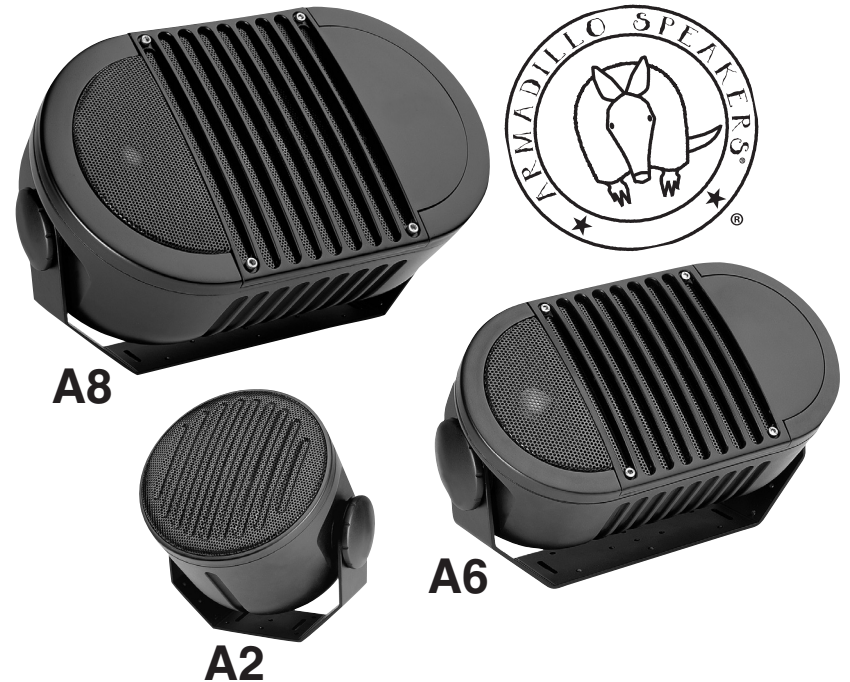
BOGEN
COMMUNICATIONS, INC.
www.bogen.com

Specifications are subject to change without notice. © 2014, 2015 Bogen Communications, Inc.

BOGEN®

MODELS A2, A6, A8, & VARIATIONS

A-SERIES ENVIRONMENT-PROOF INDOOR/OUTDOOR LOUDSPEAKERS



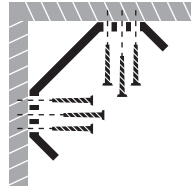
54-2033-02G 1503

A-SERIES ENVIRONMENT-PROOF INDOOR/OUTDOOR LOUDSPEAKERS

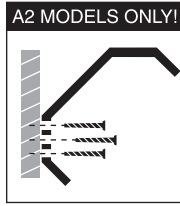
BRACKET INSTALLATION



FLAT SURFACE



90-DEGREE ADJOINING SURFACES
(secure both ends)



CANTED
A6 and A8 models are too heavy for this type of mounting

WARNING: Mounting brackets must be secured in accordance with local codes. If in doubt, consult a professional contractor to determine the integrity of the structure to which the bracket will be attached. When required, a user-supplied safety strap can be secured to the back of the speaker cabinet using the threaded brass insert and the forged steel safety bolt (included).

MULTIPLE SPEAKERS AND SOUND COVERAGE

Placement is critical when the goal is smooth, even sound coverage of an area. Horizontal and vertical dispersion usually vary with 2-way speakers, so installation orientation should be consistent. Models A6 and A8 deliver about 110 and 100 degrees of horizontal sound coverage, respectively, while the coaxial A2 provides about 80 degrees. Too great a distance between any 2 speakers will create a dead spot in the coverage. When in doubt, use more speakers to ensure adequate coverage.

OTHER FACTORS TO CONSIDER

Distance is not the only factor affecting sound intensity. Others that should be considered in the planning phase are adjacent surface reinforcement and environmental effects such as temperature extremes and humidity (mainly in outdoor installations).

LOW FREQUENCY OUTPUT

Bass output level depends on a speaker's location. The more reflecting surfaces in proximity to the speakers (walls, ceilings, floors), the greater the bass output. Therefore, speakers mounted in free space (e.g., hanging from an overhead support) will produce comparatively less bass output.

UNDERPOWERING VS. OVERPOWERING

Most speaker damage is caused by amplifiers with too little power. An overdriven amp sends clipping distortion to the speakers. Clipping is usually audible; it may vary from a harsh sound to a fuzzy or blurry sound. If you hear clipping at loud volume levels, turn down the volume until the distortion is no longer present. Damage caused by operating the speakers at distorted volume levels is not covered by the warranty.

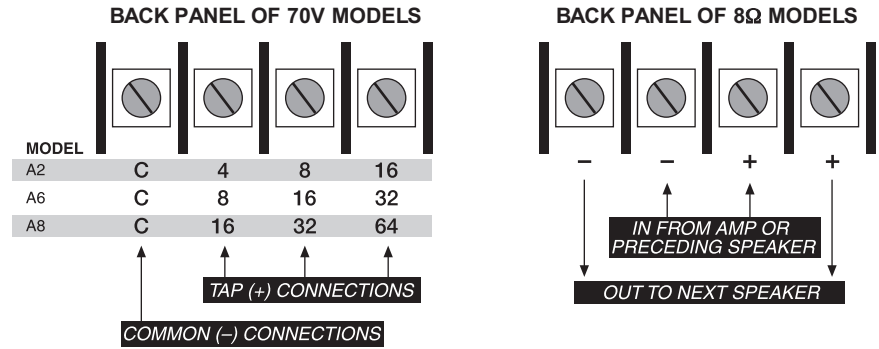
PAINTING

The speaker cabinet and grille can be painted with a thin coat of spray paint. Remove the grille and mask the speaker assembly so that only the cabinet gets painted. Then, if desired, spray the grille lightly to avoid plugging the holes.

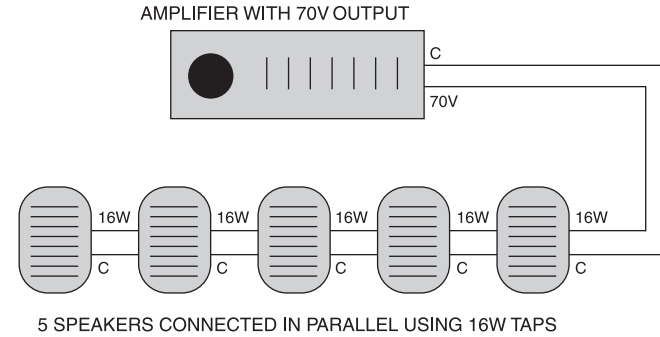
MAINTENANCE

None required. Speaker cabinets can be wiped clean with a soft, damp cloth.

BACK-PANEL CONNECTIONS



EXAMPLE OF 70V SYSTEM CONFIGURATION



NOTE: The total number of speakers multiplied by the tap value cannot exceed the output power (in watts) of the 70V amplifier. The above example shows 5 speakers. Using the 16W taps, you need an amplifier with at least $(5) \times (16) = 80W$. A good rule of thumb is to select an amplifier with 20% greater power; in this case, an amplifier that delivers about 100W.

EXAMPLE OF 8Ω SYSTEM CONFIGURATION

