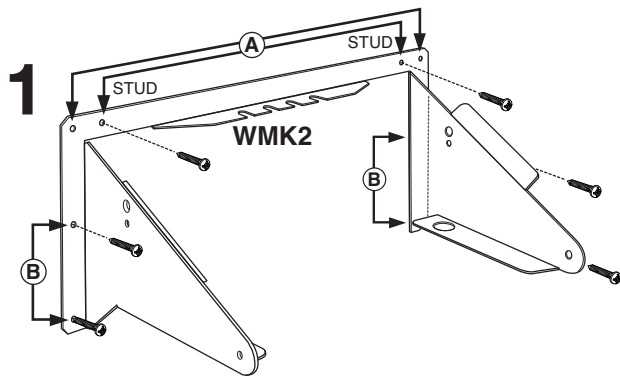


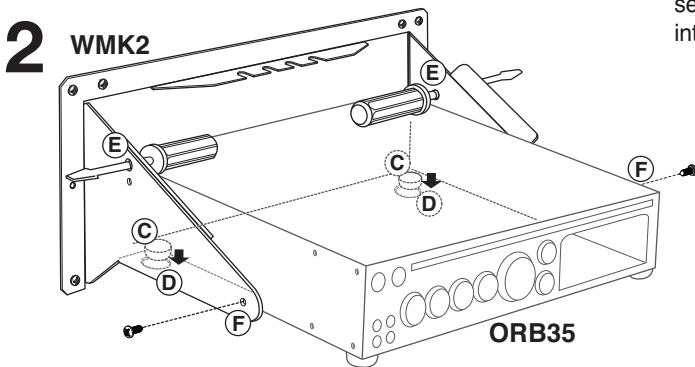


# ORATOR WMK2 Wall Mount Bracket Kit Assembly



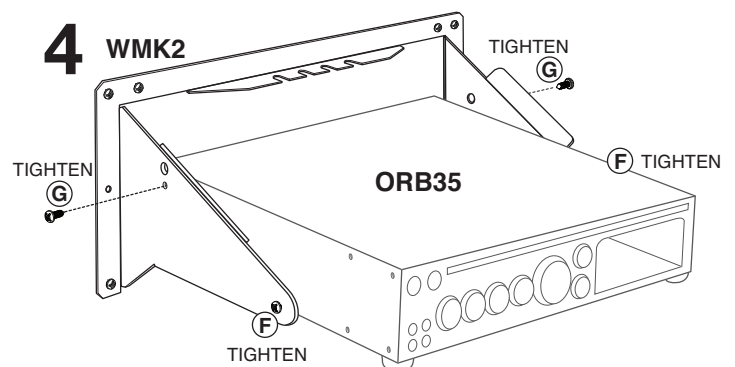
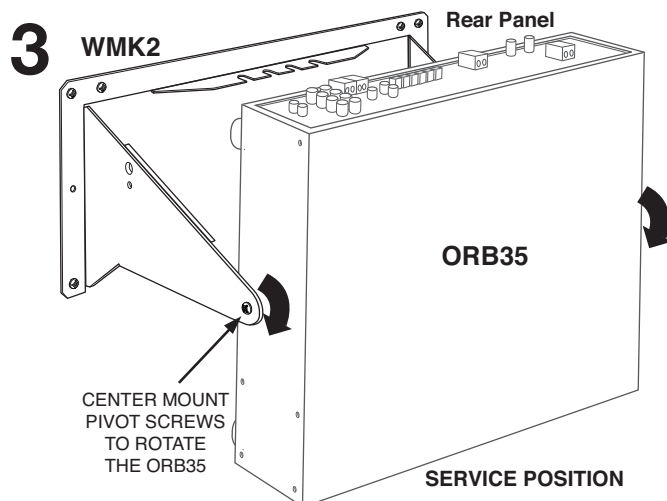
**1.** To attach the WMK2 to a wall area, first place the bracket flush against a wall and using mounting screws (user supplied), affix the bracket to the wall. For standard stud framing, use the two inner 16" center screw holes on the upper portion (A) of the bracket, and at least one more on each side of the lower portion (B) on both sides. For other mounting surfaces, install appropriate anchors in at least one hole on each side of the upper portion of the bracket, and at least one more on each side of the lower portion. The mounting hardware must have a pull out strength of at least 100 lbs.

**2.** Once the WMK2 bracket has been secured, bring the ORB35 Receiver/Base Unit into place for mounting. Bring the unit's two rear feet (C) gently down into the two feet openings (D) on the WMK2 bracket, keeping the ORB35 situated horizontally. To hold the ORB35 in place temporarily, insert a screwdriver (or similar object) into the larger positioning holes (E) on both sides. Insert the two provided center pivot screws into the pivot holes (F) located at the ends of the WMK2 bracket arms. Do not tighten these screws completely. This will secure the ORB35 unit within the bracket while still allowing it to be tilted forward into a service position for better access to the rear panel.



**3.** Remove the temporary support screwdrivers and tilt the ORB35 unit forward & downward into the service position. All rear panel wiring connections, switch settings, and level adjustments should be made in this position.

**4.** Once all wiring has been completed, return the ORB35 unit to a horizontal position, with the unit's feet re-inserted into the feet openings on the WMK2. Insert and tighten the two provided rear mount screws into the rear holes (G) located on the WMK2 bracket arms. Finally, tighten the center pivot screws (F) to ensure the ORB35 is securely mounted into the WMK2 bracket.



## LIMITED WARRANTY; EXCLUSION OF CERTAIN DAMAGES

The Bogen **WMK2** is warranted to be free from defects in material or workmanship for five (5) years from the date of sale to the original purchaser. Any part of the product covered by this warranty that, with normal installation and use, becomes defective will be repaired or replaced by Bogen, at our option, provided the product is shipped insured and prepaid to: Bogen Factory Service Department, 50 Spring Street, Ramsey, NJ 07446, USA. The product will be returned to you freight prepaid. This warranty does not extend to any of our products that have been subjected to abuse, misuse, improper storage, neglect, accident, improper installation or have been modified or repaired or altered in any manner whatsoever, or where the serial number or date code has been removed or defaced.

**THE FOREGOING LIMITED WARRANTY IS BOGEN'S SOLE AND EXCLUSIVE WARRANTY AND THE PURCHASER'S SOLE AND EXCLUSIVE REMEDY. BOGEN MAKES NO OTHER WARRANTIES OF ANY KIND, EITHER EXPRESS OR IMPLIED, AND ALL IMPLIED WARRANTIES OF MERCHANTABILITY OR FITNESS FOR A PARTICULAR PURPOSE ARE HEREBY DISCLAIMED AND EXCLUDED TO THE MAXIMUM EXTENT ALLOWABLE BY LAW.** Bogen's liability arising out of the manufacture, sale or supplying of products or their use or disposition, whether based upon warranty, contract, tort or otherwise, shall be limited to the price of the product. **IN NO EVENT SHALL BOGEN BE LIABLE FOR SPECIAL, INCIDENTAL OR CONSEQUENTIAL DAMAGES (INCLUDING, BUT NOT LIMITED TO, LOSS OF PROFITS, LOSS OF DATA OR LOSS OF USE DAMAGES) ARISING OUT OF THE MANUFACTURE, SALE OR SUPPLYING OF PRODUCTS, EVEN IF BOGEN HAS BEEN ADVISED OF THE POSSIBILITY OF SUCH DAMAGES OR LOSSES.**

Some States do not allow the exclusion or limitation of incidental or consequential damages, so the above limitation or exclusion may not apply to you. This warranty gives you specific legal rights, and you may also have other rights which vary from State to State.

Products that are out of warranty will also be repaired by the Bogen Factory Service Department — same address as above or call 201-934-8500. The parts and labor involved in these repairs are warranted for 90 days when repaired by the Bogen Factory Service Department. All shipping charges in addition to parts and labor charges will be at the owner's expense. All returns require a Return Authorization number.

7/22/2008

**BOGEN<sup>®</sup>**  
**COMMUNICATIONS, INC.**  
50 Spring Street, Ramsey, NJ 07446  
Tel. 201-934-8500 • Fax: 201-934-9832  
[www.bogen.com](http://www.bogen.com)