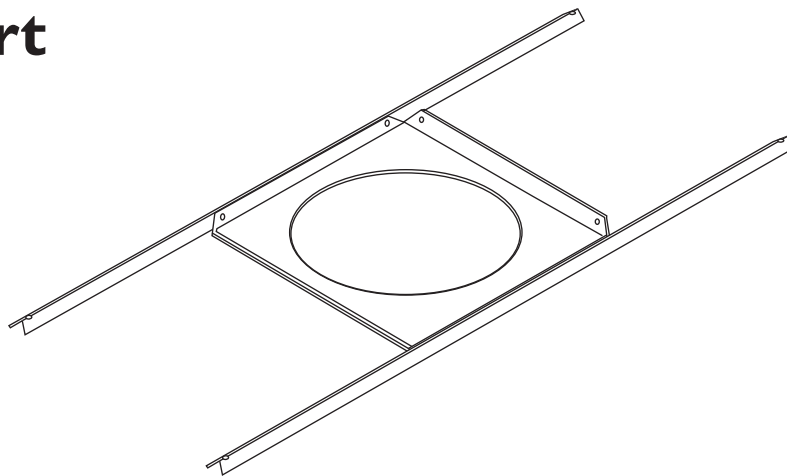


# Tile Bridge Support

## Model TBSF

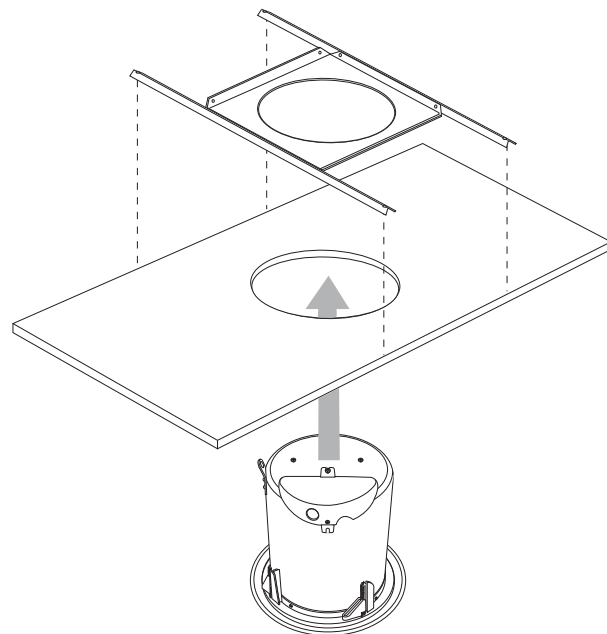
### Description

This Tile Bridge Support (Model TBSF) is designed to offer additional mounting support for the Bogen High-Fidelity, Small-Footprint speaker (Model HFSF1) when mounted in a suspended ceiling installation.



### Installation

1. Remove the tile from the ceiling and put the TBSF on top of the ceiling tile, aligning the ends of the TBSF rails as shown in the drawing at right.
2. Typically the ceiling speaker will be mounted in the center of the ceiling tile. Care must be taken to ensure that the TBSF rails will be flush with the tile sides and that the ring portion will not interfere with the suspension grid.
3. Use the ring as a guide to cut a hole in the ceiling tile.
4. Sandwich the tile between the TBSF and the front bezel of the HFSF1 and tighten the speaker clamps. Complete speaker installation and connections as directed in the HFSF1 instruction manual.



### Limited Warranty

The Bogen TBSF is warranted to be free from defects in material or workmanship for five (5) years from the date of sale to the original purchaser. Any part of the product covered by this warranty that, with normal installation and use, becomes defective will be repaired or replaced by Bogen, at our option, provided the product is shipped insured and prepaid to: Bogen Factory Service Department, 50 Spring Street, Ramsey, NJ 07446, USA. The product will be returned to you freight prepaid. This warranty does not extend to any of our products that have been subjected to abuse, misuse, improper storage, neglect, accident, improper installation or have been modified or repaired or altered in any manner whatsoever, or where the serial number or date code has been removed or defaced.

**THE FOREGOING LIMITED WARRANTY IS BOGEN'S SOLE AND EXCLUSIVE WARRANTY AND THE PURCHASER'S SOLE AND EXCLUSIVE REMEDY. BOGEN MAKES NO OTHER WARRANTIES OF ANY KIND, EITHER EXPRESS OR IMPLIED, AND ALL IMPLIED WARRANTIES OF MERCHANTABILITY OR FITNESS FOR A PARTICULAR PURPOSE ARE HEREBY DISCLAIMED AND EXCLUDED TO THE MAXIMUM EXTENT ALLOWABLE BY LAW.** Bogen's liability arising out of the manufacture, sale or supplying of products or their use or disposition, whether based upon warranty, contract, tort or otherwise, shall be limited to the price of the product. In no event shall Bogen be liable for special, incidental or consequential damages (including, but not limited to, loss of profits, loss of data or loss of use damages) arising out of the manufacture, sale or supplying of products, even if Bogen has been advised of the possibility of such damages or losses. Some States do not allow the exclusion or limitation of incidental or consequential damages, so the above limitation or exclusion may not apply to you. This warranty gives you specific legal rights, and you may also have other rights which vary from State to State.

Products that are out of warranty will also be repaired by the Bogen Factory Service Department – same address as above or call 201-934-8500. The parts and labor involved in these repairs are warranted for 90 days when repaired by the Bogen Factory Service Department. All shipping charges in addition to parts and labor charges will be at the owner's expense. All returns require a Return Authorization number.

8/10/2004